

# FOLD-N-ROLL VILLA WALL™

Price Effective - January 1, 2024



## FLEXIBLE AND VERSATILE SOLUTIONS

Flexible and versatile, the Fold-N-Roll Villa Wall™ allows you to easily reconfigure any room instantly. Add separation between tables, chairs or workstations, or create a collaboration or huddle areas by easily moving, folding or unfolding the hinged panels. When not needed, the Fold-N-Roll Villa Walls™, simply folds closed for a compact storage solution.

Panel cores are available in a variety of widths, heights and materials to merge seamlessly with your current décor.

- Width measurement includes all 3 panels
- Hinge allows walls to fold up to 180°
- Locking casters allow for a secure configuration
- Walls can be folded to make multiple configurations
- Framework is constructed using lightweight aluminum extrusion
- Core materials include Frosted and Clear Acrylic, TruBrite™ Whiteboard, Fabric and acoustic EchoScape™
- Fold-N-Roll Villa Walls™ are available in custom sizes, core material and colors
- Made in the USA



### How to build your SKU:

Step 1:  
Choose your Model

2XF

Step 2:  
Choose your Width and Height

9672

Step 3:  
Choose your Frame Color

BK

Step 4:  
Choose your Core Material (Left Panel)

LFRO

Step 5:  
Choose your Core Material (Center Panel)

CF222

Step 6:  
Choose your Core Material (Right Panel)

RP118

## FOLD-N-ROLL VILLA WALL™

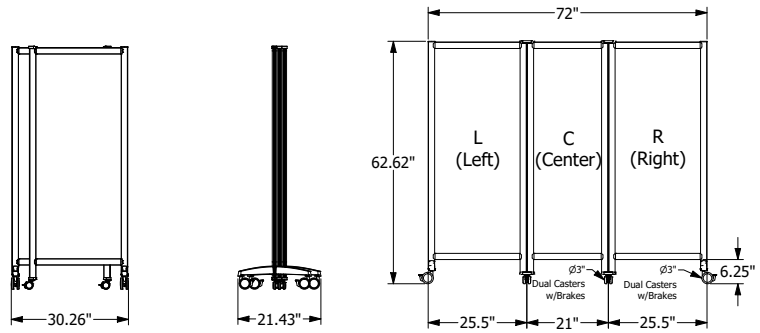
### CORE MATERIALS

Model	Overall Width and Height (Includes 3 Panels)	Frame Color	Left Panel (L)	Center Panel (C)	Right Panel (R)
2XF Fold-N-Roll Villa Wall™	72x62	AA Satin Aluminum	FRO Frosted Acrylic	FRO Frosted Acrylic	FRO Frosted Acrylic
	72x72	BK Black	CLR Clear Acrylic	CLR Clear Acrylic	CLR Clear Acrylic
	96x62		WB TruBrite™ Whiteboard	WB TruBrite™ Whiteboard	WB TruBrite™ Whiteboard
	96x72		F1_ Fabric 100 Series	F1_ Fabric 100 Series	F1_ Fabric 100 Series
	120x62		F2_ Fabric 200 Series	F2_ Fabric 200 Series	F2_ Fabric 200 Series
	120x72		P1_ EchoScape™ 3/8" (9mm)	P1_ EchoScape™ 3/8" (9mm)	P1_ EchoScape™ 3/8" (9mm)
	144x62		P3_ EchoScape™ 3/4" (18mm)	P3_ EchoScape™ 3/4" (18mm)	P3_ EchoScape™ 3/4" (18mm)
	144x72				

# FOLD-N-ROLL VILLA WALL™

**72" W X 62" H**

**2XF-7262**  
Fold-N-Roll Villa Wall™

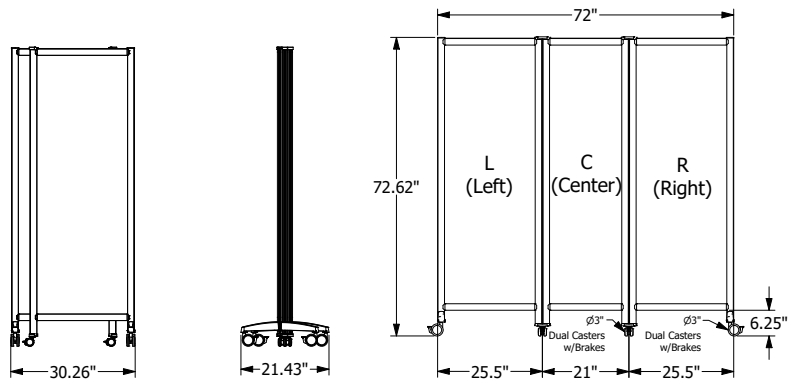


**72" W X 62" H OVERALL**

<b>FRAME BASE LIST PRICE</b> (Includes Locking Casters)	<b>\$2,127</b>		
<b>CORE MATERIALS</b>	<b>Left Panel L</b>	<b>Center Panel C</b>	<b>Right Panel R</b>
FROSTED ACRYLIC (FRO)	+\$295	+\$295	+\$295
CLEAR ACRYLIC (CLR)	+\$295	+\$295	+\$295
TRUBRITE™ WHITEBOARD (WB)	+\$322	+\$322	+\$322
FABRIC 100 SERIES - (F1_)	+\$307	+\$307	+\$307
FABRIC 200 SERIES - (F2_)	+\$452	+\$452	+\$452
ECHOSCAPE™ 3/8" (9MM) - (P1_)	+\$202	+\$202	+\$202
ECHOSCAPE™ 3/4" (18MM) - (P3_)	+\$224	+\$224	+\$224
<b>WEIGHT (FRAMES WITH CORES)</b>	<b>55 LBS</b>		

**72" W X 72" H**

**2XF-7272**  
Fold-N-Roll Villa Wall™

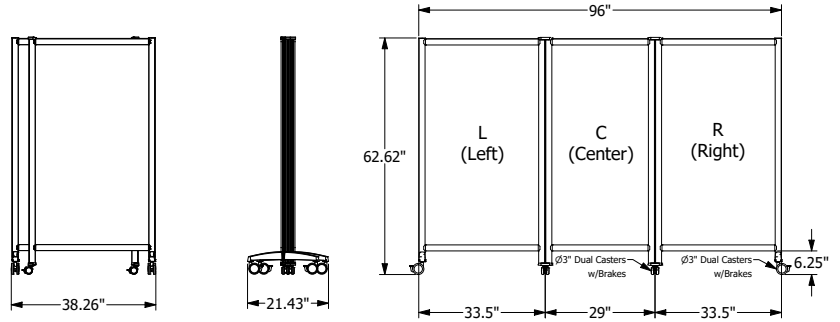


**72" W X 72" H OVERALL**

<b>FRAME BASE LIST PRICE</b> (Includes Locking Casters)	<b>\$2,292</b>		
<b>CORE MATERIALS</b>	<b>Left Panel L</b>	<b>Center Panel C</b>	<b>Right Panel R</b>
FROSTED ACRYLIC (FRO)	+\$300	+\$300	+\$300
CLEAR ACRYLIC (CLR)	+\$300	+\$300	+\$300
TRUBRITE™ WHITEBOARD (WB)	+\$322	+\$322	+\$322
FABRIC 100 SERIES (F1_)	+\$413	+\$413	+\$413
FABRIC 200 SERIES (F2_)	+\$608	+\$608	+\$608
ECHOSCAPE™ 3/8" (9MM) - (P1_)	+\$202	+\$202	+\$202
ECHOSCAPE™ 3/4" (18MM) - (P3_)	+\$344	+\$344	+\$344
<b>WEIGHT (FRAMES WITH CORES)</b>	<b>63 LBS</b>		

NOTE: All pricing in USD

**96" W X 62" H**  
**2XF-9662**  
**Fold-N-Roll Villa Wall™**



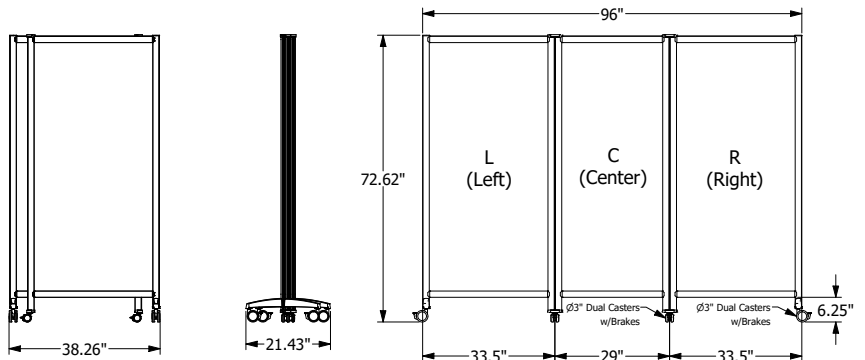
**96" W X 62" H OVERALL**

<b>FRAME BASE LIST PRICE</b> (Includes Locking Casters)	<b>\$2,340</b>
--	----------------

CORE MATERIALS	Left Panel L	Center Panel C	Right Panel R
FROSTED ACRYLIC (FRO)	+\$529	+\$529	+\$529
CLEAR ACRYLIC (CLR)	+\$529	+\$529	+\$529
TRUBRITE™ WHITEBOARD (WB)	+\$627	+\$627	+\$627
FABRIC 100 SERIES (F1_)	+\$442	+\$442	+\$442
FABRIC 200 SERIES (F2_)	+\$653	+\$653	+\$653
ECHOSCAPE™ 3/8" (9MM) - (P1_)	+\$393	+\$393	+\$393
ECHOSCAPE™ 3/4" (18MM) - (P3_)	+\$344	+\$344	+\$344

<b>WEIGHT (FRAMES WITH CORES)</b>	<b>66 LBS</b>
-----------------------------------	---------------

**96" W X 72" H**  
**2XF-9672**  
**Fold-N-Roll Villa Wall™**



**96" W X 72" H OVERALL**

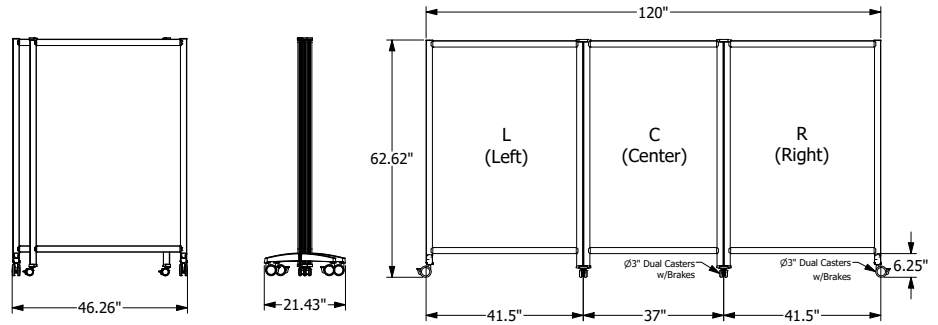
<b>FRAME BASE LIST PRICE</b> (Includes Locking Casters)	<b>\$2,505</b>
--	----------------

CORE MATERIALS	Left Panel L	Center Panel C	Right Panel R
FROSTED ACRYLIC (FRO)	+\$535	+\$535	+\$535
CLEAR ACRYLIC (CLR)	+\$535	+\$535	+\$535
TRUBRITE™ WHITEBOARD (WB)	+\$627	+\$627	+\$627
FABRIC 100 SERIES (F1_)	+\$737	+\$737	+\$737
FABRIC 200 SERIES (F2_)	+\$1,087	+\$1,087	+\$1,087
ECHOSCAPE™ 3/8" (9MM) - (P1_)	+\$393	+\$393	+\$393
ECHOSCAPE™ 3/4" (18MM) - (P3_)	+\$682	+\$682	+\$682

<b>WEIGHT (FRAMES WITH CORES)</b>	<b>75 LBS</b>
-----------------------------------	---------------

NOTE: All pricing in USD

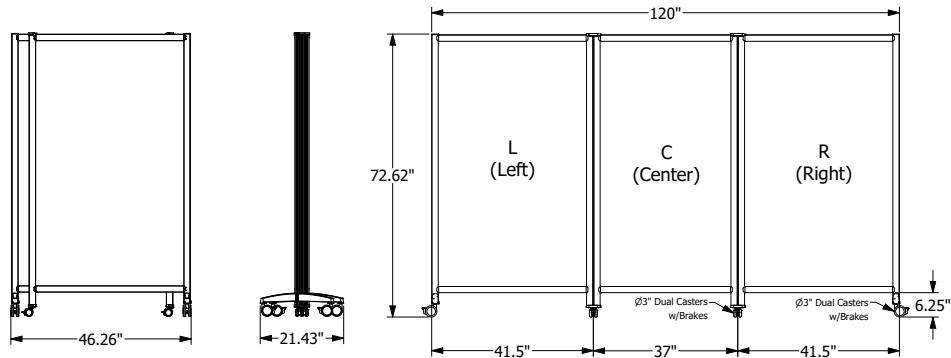
**120"W X 62"H**  
**2XF-12062**  
**Fold-N-Roll Villa Wall™**



**120" W X 62" H OVERALL**

<b>FRAME BASE LIST PRICE</b> (Includes Locking Casters)	<b>\$2,487</b>		
<b>CORE MATERIALS</b>	<b>Left Panel L</b>	<b>Center Panel C</b>	<b>Right Panel R</b>
FROSTED ACRYLIC (FRO)	+\$535	+\$535	+\$535
CLEAR ACRYLIC (CLR)	+\$535	+\$535	+\$535
TRUBRITE™ WHITEBOARD (WB)	+\$627	+\$627	+\$627
FABRIC 100 SERIES (F1_)	+\$502	+\$502	+\$502
FABRIC 200 SERIES (F2_)	+\$735	+\$735	+\$735
ECHOSCAPE™ 3/8" (9MM) - (P1_)	+\$393	+\$393	+\$393
ECHOSCAPE™ 3/4" (18MM) - (P3_)	+\$442	+\$442	+\$442
<b>WEIGHT (FRAMES WITH CORES)</b>	<b>65 LBS</b>		

**120"W X 72"H**  
**2XF-12072**  
**Fold-N-Roll Villa Wall™**

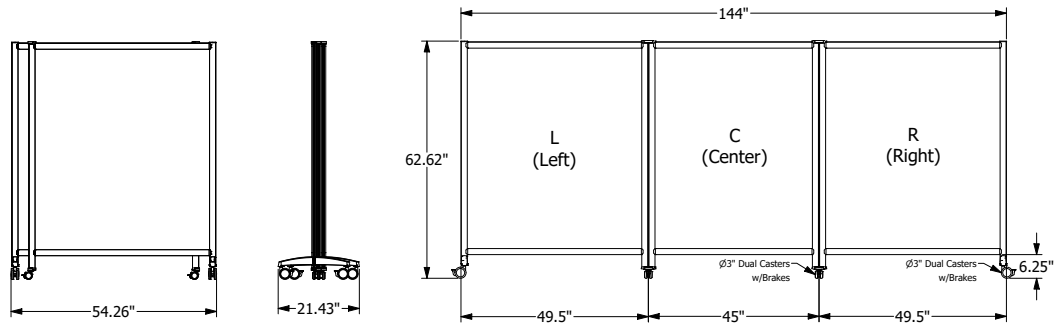


**120" W X 72" H OVERALL**

<b>FRAME BASE LIST PRICE</b> (Includes Locking Casters)	<b>\$2,685</b>		
<b>CORE MATERIALS</b>	<b>Left Panel L</b>	<b>Center Panel C</b>	<b>Right Panel R</b>
FROSTED ACRYLIC (FRO)	+\$540	+\$540	+\$540
CLEAR ACRYLIC (CLR)	+\$540	+\$540	+\$540
TRUBRITE™ WHITEBOARD (WB)	+\$633	+\$633	+\$633
FABRIC 100 SERIES (F1_)	+\$754	+\$754	+\$754
FABRIC 200 SERIES (F2_)	+\$1,116	+\$1,116	+\$1,116
ECHOSCAPE™ 3/8" (9MM) - (P1_)	+\$393	+\$393	+\$393
ECHOSCAPE™ 3/4" (18MM) - (P3_)	+\$682	+\$682	+\$682
<b>WEIGHT (FRAMES WITH CORES)</b>	<b>75 LBS</b>		

NOTE: All pricing in USD

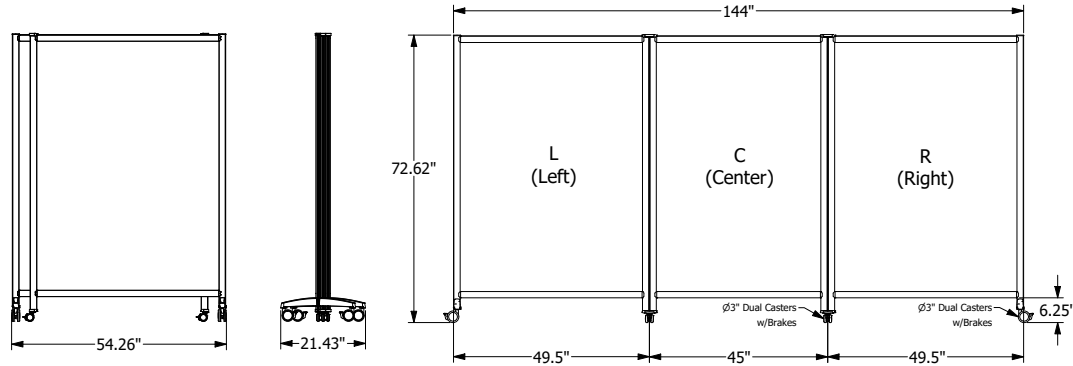
**144" W X 62" H**  
**2XF-14462**  
**Fold-N-Roll Villa Wall™**



**144" W X 62" H OVERALL**

<b>FRAME BASE LIST PRICE</b> (Includes Locking Casters)	<b>\$2,667</b>		
<b>CORE MATERIALS</b>	<b>Left Panel L</b>	<b>Center Panel C</b>	<b>Right Panel R</b>
FROSTED ACRYLIC (FRO)	+\$540	+\$540	+\$540
CLEAR ACRYLIC (CLR)	+\$540	+\$540	+\$540
TRUBRITE™ WHITEBOARD (WB)	+\$633	+\$633	+\$633
FABRIC 100 SERIES (F1_)	+\$560	+\$560	+\$560
FABRIC 200 SERIES (F2_)	+\$827	+\$827	+\$827
ECHOSCAPE™ 3/8" (9MM) - (P1_)	+\$393	+\$393	+\$393
ECHOSCAPE™ 3/4" (18MM) - (P3_)	+\$442	+\$442	+\$442
<b>WEIGHT (FRAMES WITH CORES)</b>	<b>73 LBS</b>		

**144" W X 72" H**  
**2XF-14472**  
**Fold-N-Roll Villa Wall™**



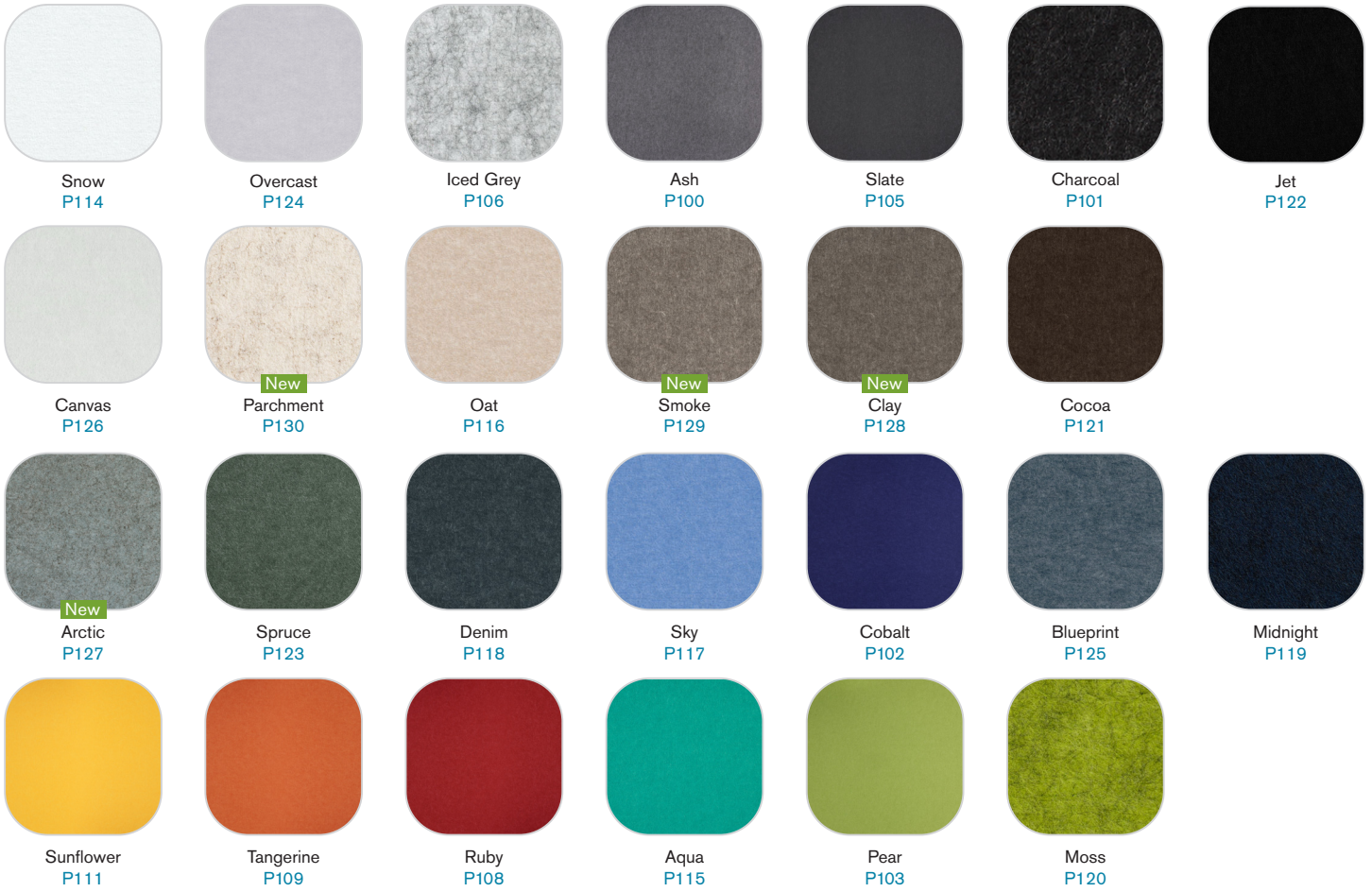
**144" W X 72" H OVERALL**

<b>FRAME BASE LIST PRICE</b> (Includes Locking Casters)	<b>\$2,865</b>		
<b>CORE MATERIALS</b>	<b>Left Panel L</b>	<b>Center Panel C</b>	<b>Right Panel R</b>
FROSTED ACRYLIC (FRO)	+\$545	+\$545	+\$545
CLEAR ACRYLIC (CLR)	+\$545	+\$545	+\$545
TRUBRITE™ WHITEBOARD (WB)	+\$633	+\$633	+\$633
FABRIC 100 SERIES (F1_)	+\$772	+\$772	+\$772
FABRIC 200 SERIES (F2_)	+\$1,139	+\$1,139	+\$1,139
ECHOSCAPE™ 3/8" (9MM) - (P1_)	+\$393	+\$393	+\$393
ECHOSCAPE™ 3/4" (18MM) - (P3_)	+\$682	+\$682	+\$682
<b>WEIGHT (FRAMES WITH CORES)</b>	<b>85 LBS</b>		

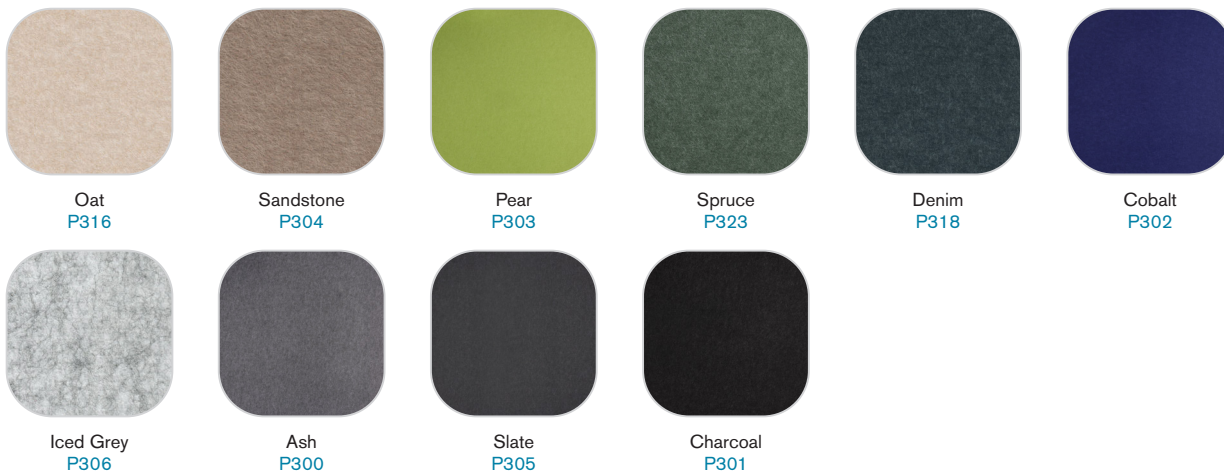
NOTE: All pricing in USD

# MATERIAL OPTIONS

## ECHOSCAPE™ 3/8" (9MM)



## ECHOSCAPE™ 3/4" (18MM)



## FABRICS 200 SERIES

### FELTRO | NEW NOVEMBER 2023



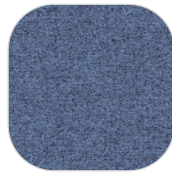
Slate  
F232



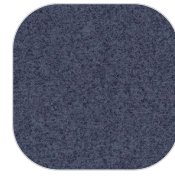
Steel  
F237



Shadow  
F241



Baltic  
F238



Dusk  
F242



Birch  
F233



Twig  
F235



Spa  
F239



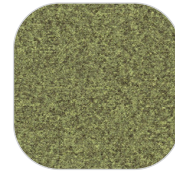
Ink  
F243



Sand  
F234



Celadine  
F236



Sprout  
F240



Cayenne  
F244

### DEKA | NEW NOVEMBER 2023



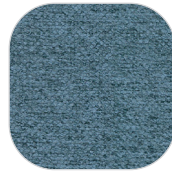
Moon  
F245



Mercury  
F252



Pewter  
F256



Refresh  
F247



Rain  
F249



Nordic  
F253



Charcoal  
F257



Peridot  
F250



Copper  
F254



Bisque  
F251



Driftwood  
F255



Pumice  
F246

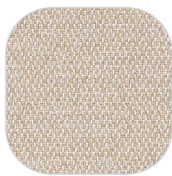


Sage  
F248

### INFINITY



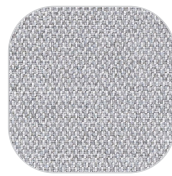
Dove  
F223



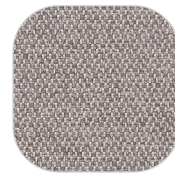
Barley  
F210



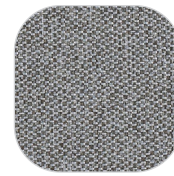
Stucco  
F221



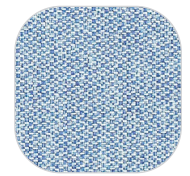
Aluminum  
F222



Gull  
F230



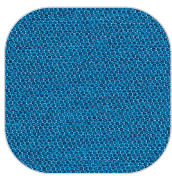
Pewter  
F231



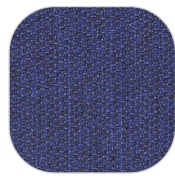
Aster  
F219



Rinse  
F214



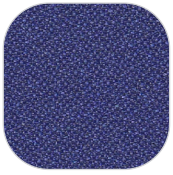
Capri  
F218



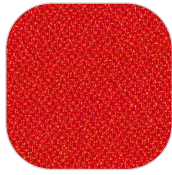
Beyond  
F220

## FABRICS 100 SERIES

### ORIGIN



Euro  
F102



Poppy  
F104



Arundel  
F112



Stately  
F113



Basalt  
F122



Jet  
F123



Iron  
F121



Steel  
F120



Sapphire  
F114



Sodalite  
F108

### FROSTED ACRYLIC



Frosted Acrylic  
FRO

### DRY ERASE SURFACES



TruBrite™ Whiteboard  
WB



Clear Glass Board  
GCL

### FRAMES



Satin Aluminum  
AA



Black  
BK