

ECHODECO® EDGE WALL TILES

Price Effective - April 14, 2025



QUIET THAT STANDS OUT.

EchoDeco® Edge Wall Tiles bring depth, dimension, and a modern sculpted look to your walls, all while helping reduce noise and create a more balanced environment. Their three-dimensional profile plays with light and shadow, giving you wall art with purpose.

Designed for efficient coverage and high performance, each EchoDeco® Edge Wall Tile provides up to 22 square feet of noise-control material. Choose from 3 distinctive design styles and 39 color options, giving you the freedom to shape a space that's calm, creative, and uniquely yours.

- Tile dimensions 23.5" or 47" square
- Three 3-dimension design options
- Acoustic Edge Tiles are available in 1 or 2 color options
- Tile thickness – 3/8" (9mm) with an NC rating of 0.85
- Edge Wall Tiles can be installed using adhesive mounts or with permanent adhesive
- Made in the USA

How to build your SKU:



ECHODECO® EDGE WALL TILES

Model	Fixed Size	Design	Color Options		Mounting Options (Optional)
			One Color	Two Colors	
EDG-24	EchoDeco® Edge Wall Tiles 23.5"W x 23.5"L	AXS Axis	P1_ EchoScape™ 3/8" (9mm)	TP1_ Tile Color + BP1_ Blade Color EchoScape™ 3/8" (9mm)	W.R_ Adhesive Removable Mount
EDG-48	EchoDeco® Edge Wall Tiles 47"W x 47"L	ALN Align STC Static			

ECHODECO® EDGE WALL TILES

ECHODECO® EDGE WALL TILES - QTY 1 MATERIAL THICKNESS 3/8" (9MM) (EDG)

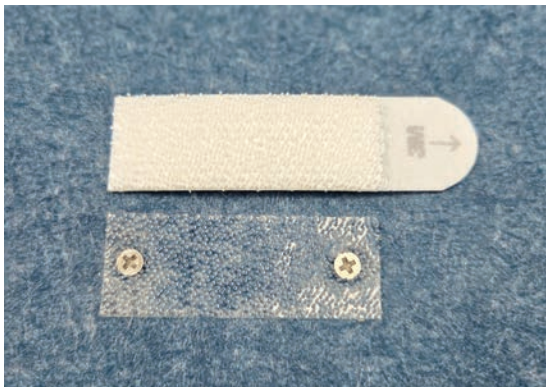
Design	Width	Length	Weight (lbs)	Edge Wall Tiles* Qty 1 (one or two colors) List Price	Adhesive Removable Mount		Acoustic Sq. Ft.
					WR.8 = 8 Sets	WR.20 = 20 Sets	
Axis	23.5"	23.5"	2	\$278	WR8	WR20	5.5
Axis	47"	47"	9	\$940	N/A	N/A	22
Align	47"	47"	9	\$940	N/A	N/A	22
Static	47"	47"	8	\$650	N/A	N/A	18

*EchoDeco Edge Wall Tiles may be installed with permanent adhesives - not included

*Recommended carpet adhesive - Roberts™ 3095 or similar

*Recommended construction adhesive - Loctite® Power Grab® All Purpose or Ultimate or similar

MOUNTING OPTION



COMMAND™ STRIP WALL ADHESIVE

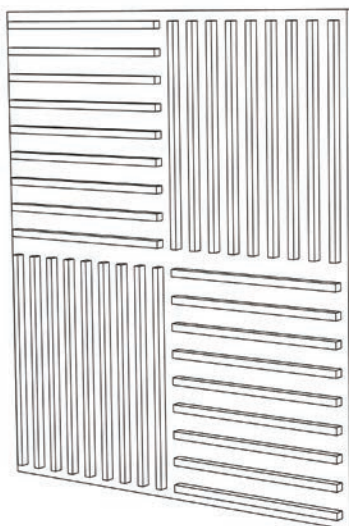
COMMAND™ STRIP WALL ADHESIVE CAN BE USED ON THE FOLLOWING SURFACES: PAINTED, STAINED OR VARNISHED WOOD, GLASS, TILE, PAINTED CINDER BLOCK, PLASTER, METAL, AND PAINTED WALLBOARD.

PRESS LOCK ADHESIVE STRIP

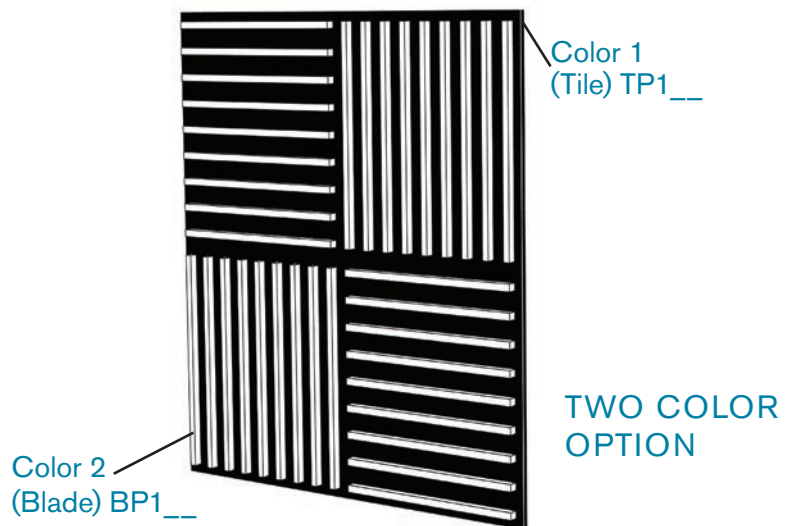
PRESS LOCK ADHESIVE ATTACHES TO PRODUCT WITH ADHESIVE AND TWO SCREWS (SCREW INSTALLATION REQUIRED)

ADHESIVE REMOVABLE MOUNT (W.R)

COLOR OPTIONS



ONE COLOR OPTION P1__



Color 1 (Tile) TP1__

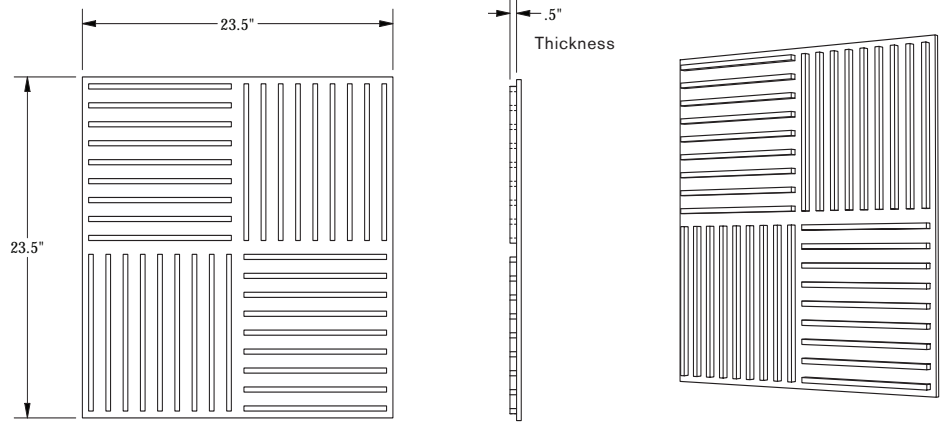
TWO COLOR OPTION

Color 2 (Blade) BP1__

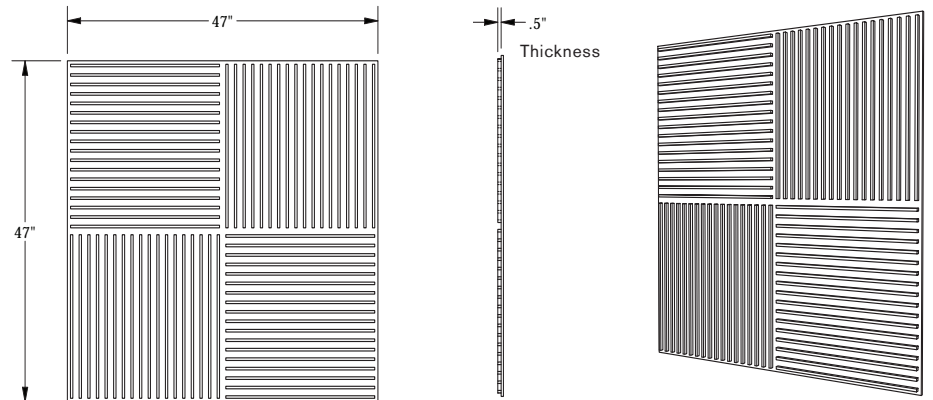
ECHODECO® EDGE WALL TILE DESIGNS



AXS - 23.5"X23.5" AXIS IN CANVAS P126



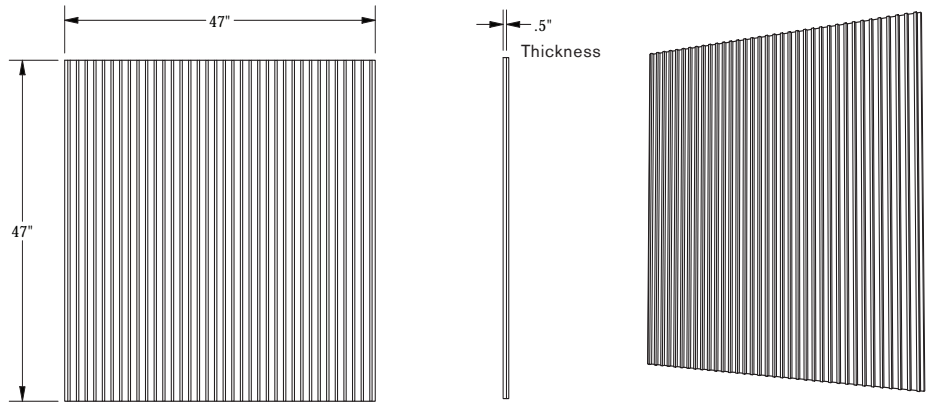
AXS - 47"X47" AXIS IN PARCHMENT P130 & ARCTIC P127



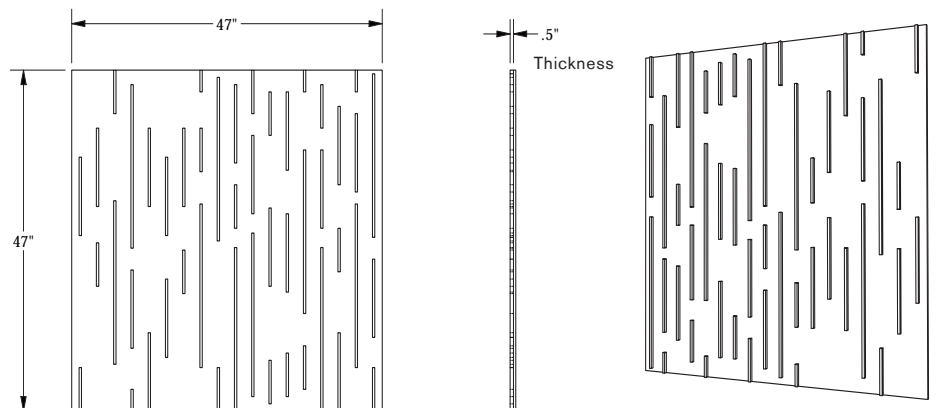
ECHODECO® EDGE WALL TILE DESIGNS



ALN - 47"X47" ALIGN IN SKY P117



STC - 47"X47" STATIC IN ASH P100 & RUBY P108



MATERIAL OPTIONS

ECHOSCAPE 3/8" (9MM)

Warm Foundations



Snow
P114



Parchment
P130



Oat
P116



Sandstone
P104



Coffee Bean
P133

Organic Tones



Moss
P120



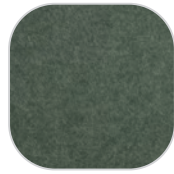
Pear
P103



Sage
P136



Pine
P135



Spruce
P123



Ocean
P134

Modern Neutrals



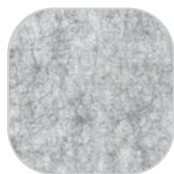
Canvas
P126



Overcast
P124



Dolphin
P132



Iced Grey
P106



Ash
P100



Slate
P105



Charcoal
P101



Jet
P122

Blue Spectrum



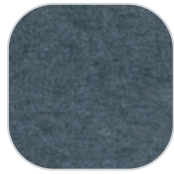
Arctic
P127



Denim
P118



Cobalt
P102



Blueprint
P125



Midnight
P119

MATERIAL OPTIONS

ECHOSCAPE 3/8" (9MM)

Muted Tones



Smoke
P129



Clay
P128



Dijon
P141



Brick
P142



Cranberry
P143



Salmon
P137



Horizon
P140



Bluebonnet
P139



Iris
P138

Primary Colors



Sunflower
P111



Tangerine
P109



Ruby
P108



Sky
P117



Aqua
P115



Kelly
P144