

# TRI-FOLD PERSONAL PROTECTION SCREEN

Price Effective - January 1, 2022



## PORTABLE AND VERSATILE PROTECTION

The perfect on-the-go solution, Tri-Fold clear acrylic screens provide essential physical barriers and separate spaces. The Tri-Fold Personal Protection Screen can be folded and carried using the convenient handle cutout or attached to a desk or table set up with removable adhesive. Easy to clean and disinfect, Tri-Fold Panels provide safety and protection to anyone.

Available with and without handles and transaction cutouts, Tri-Fold Screens are made using high-quality materials and are available in several heights and widths, or can be customized to fit your specific requirements.

- All acrylic edges are polished smooth for safety
- Sturdy acrylic hinges allow for compact panel fold
- Multiple heights and widths available
- Available with and without handle
- Available with and without transaction cutout on front panel
- Custom sizes available
- Easy to clean and disinfect
- Lightweight and easy to transport
- Made in the USA



### How to build your SKU:

Step 1:  
Choose your  
Model

TRI-CLR3

Step 2:  
Choose your  
Front Panel  
Width

20

Step 3:  
Choose your  
Wing  
Depth

12

Step 4:  
Choose your  
Height

29.5

Step 5:  
Choose Handle  
(Optional)

H

Step 6:  
Choose Transaction  
Cutout  
(Optional)

C

Step 7:  
Choose  
Foot Mounts  
(Optional)

A4

## TRI-FOLD PROTECTION SCREEN

Model	Front Panel Width	Wing Depth	Height	Handle	Transaction Cutout	Foot Mounts
TRI-CLR3 Tri-Fold Protection Screen	20"	12"	23.5"	NH No Handle	NC No Transaction Cutout	NM No Foot Mount
	24"	16"	29.5"	H Handle	C Transaction Cutout	A4 Adhesive Feet (4 Per Panel)
	30"	18"				
		24"				
		30"				

# TRI-FOLD PROTECTION SCREEN

## 20" Wide Front Panel

Width of Front Panel	Wing Depth	Height	Weight	Assembled Panel Price	Handle	Transaction Cutout	Mounts
20"	12"	23.5"	6	\$148	+\$8	+\$5	+\$6
20"	16"	23.5"	7	\$168	+\$8	+\$5	+\$6
20"	18"	23.5"	7	\$178	+\$8	+\$5	+\$6
20"	24"	23.5"	9	\$198	+\$8	+\$5	+\$6
20"	30"	23.5"	10	\$238	+\$8	+\$5	+\$6
20"	12"	29.5"	7	\$189	+\$8	+\$5	+\$6
20"	16"	29.5"	8	\$209	+\$8	+\$5	+\$6
20"	18"	29.5"	9	\$229	+\$8	+\$5	+\$6
20"	24"	29.5"	10	\$259	+\$8	+\$5	+\$6
20"	30"	29.5"	12	\$309	+\$8	+\$5	+\$6

## 24" Wide Front Panel

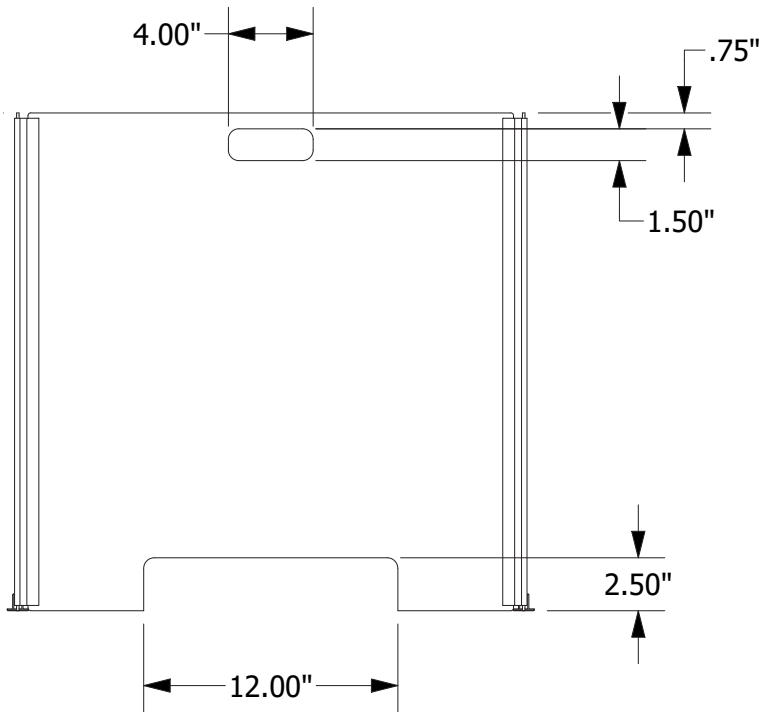
Width of Front Panel	Wing Depth	Height	Weight	Assembled Panel Price	Handle	Transaction Cutout	Mounts
24"	12"	23.5"	6	\$153	+\$8	+\$5	+\$6
24"	16"	23.5"	7	\$173	+\$8	+\$5	+\$6
24"	18"	23.5"	8	\$183	+\$8	+\$5	+\$6
24"	24"	23.5"	9	\$203	+\$8	+\$5	+\$6
24"	30"	23.5"	10	\$243	+\$8	+\$5	+\$6
24"	12"	29.5"	8	\$199	+\$8	+\$5	+\$6
24"	16"	29.5"	9	\$219	+\$8	+\$5	+\$6
24"	18"	29.5"	9	\$239	+\$8	+\$5	+\$6
24"	23"	29.5"	11	\$269	+\$8	+\$5	+\$6
24"	30"	29.5"	13	\$319	+\$8	+\$5	+\$6

## 30" Wide Front Panel

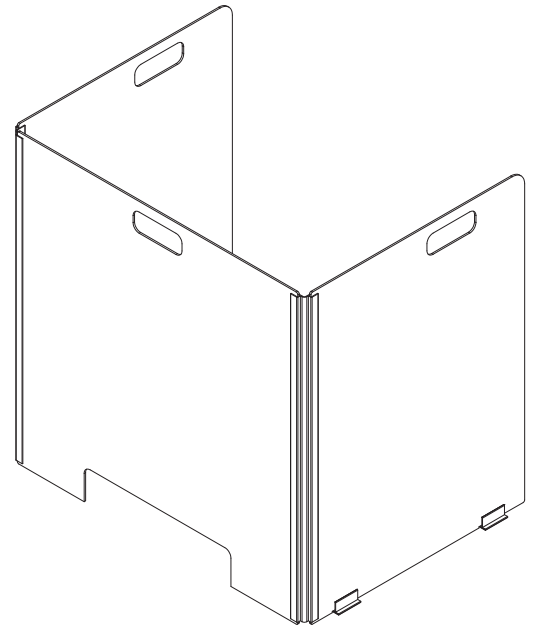
Width of Front Panel	Wing Depth	Height	Weight	Assembled Panel Price	Handle	Transaction Cutout	Mounts
30"	12"	23.5"	7	\$173	+\$8	+\$5	+\$6
30"	16"	23.5"	8	\$193	+\$8	+\$5	+\$6
30"	18"	23.5"	8	\$203	+\$8	+\$5	+\$6
30"	24"	23.5"	10	\$223	+\$8	+\$5	+\$6
30"	30"	23.5"	11	\$263	+\$8	+\$5	+\$6
30"	12"	29.5"	9	\$224	+\$8	+\$5	+\$6
30"	16"	29.5"	10	\$244	+\$8	+\$5	+\$6
30"	18"	29.5"	10	\$264	+\$8	+\$5	+\$6
30"	24"	29.5"	12	\$294	+\$8	+\$5	+\$6
30"	30"	29.5"	14	\$344	+\$8	+\$5	+\$6

NOTE: All pricing in USD

FRONT VIEW - WITH HANDLE AND CUTOUT



OPEN - WITH HANDLE AND CUTOUT



SIDE VIEW - WITH HANDLE



FOLDED - WITH HANDLE AND CUTOUT

