

TRI-FOLD PERSONAL PROTECTION SCREEN

Price Effective - September 19, 2022



PORTABLE AND VERSATILE PROTECTION

The perfect on-the-go solution, Tri-Fold clear acrylic screens provide essential physical barriers and separate spaces. The Tri-Fold Personal Protection Screen can be folded and carried using the convenient handle cutout or attached to a desk or table set up with removable adhesive. Easy to clean and disinfect, Tri-Fold Panels provide safety and protection to anyone.

Available with and without handles and transaction cutouts, Tri-Fold Screens are made using high-quality materials and are available in several heights and widths, or can be customized to fit your specific requirements.



- All acrylic edges are polished smooth for safety
- Sturdy acrylic hinges allow for compact panel fold
- Multiple heights and widths available
- Available with and without handle
- Available with and without transaction cutout on front panel
- Custom sizes available
- Easy to clean and disinfect
- Lightweight and easy to transport
- Made in the USA

How to build your SKU:

Step 1:
Choose your
Model

TRI-CLR3

Step 2:
Choose your
Front Panel
Width

20

Step 3:
Choose your
Wing
Depth

12

Step 4:
Choose your
Height

29.5

Step 5:
Choose Handle
(Optional)

H

Step 6:
Choose Transaction
Cutout
(Optional)

C

Step 7:
Choose
Foot Mounts
(Optional)

A4

TRI-FOLD PROTECTION SCREEN

Model	Front Panel Width	Wing Depth	Height	Handle	Transaction Cutout	Foot Mounts
TRI-CLR3 Tri-Fold Protection Screen	20"	12"	23.5"	NH No Handle	NC No Transaction Cutout	NM No Foot Mount
	24"	16"	29.5"	H Handle	C Transaction Cutout	A4 Adhesive Feet (4 Per Panel)
	30"	18"				
		24"				
		30"				

TRI-FOLD PROTECTION SCREEN

20" Wide Front Panel

Width of Front Panel	Wing Depth	Height	Weight (lbs)	Assembled Panel List Price	Handle	Transaction Cutout	Mounts
20"	12"	23.5"	6	\$164	+\$8	+\$5	+\$6
20"	16"	23.5"	7	\$186	+\$8	+\$5	+\$6
20"	18"	23.5"	7	\$196	+\$8	+\$5	+\$6
20"	24"	23.5"	9	\$218	+\$8	+\$5	+\$6
20"	30"	23.5"	10	\$262	+\$8	+\$5	+\$6
20"	12"	29.5"	7	\$209	+\$8	+\$5	+\$6
20"	16"	29.5"	8	\$229	+\$8	+\$5	+\$6
20"	18"	29.5"	9	\$251	+\$8	+\$5	+\$6
20"	24"	29.5"	10	\$285	+\$8	+\$5	+\$6
20"	30"	29.5"	12	\$339	+\$8	+\$5	+\$6

24" Wide Front Panel

Width of Front Panel	Wing Depth	Height	Weight (lbs)	Assembled Panel List Price	Handle	Transaction Cutout	Mounts
24"	12"	23.5"	6	\$170	+\$8	+\$5	+\$6
24"	16"	23.5"	7	\$192	+\$8	+\$5	+\$6
24"	18"	23.5"	8	\$202	+\$8	+\$5	+\$6
24"	24"	23.5"	9	\$224	+\$8	+\$5	+\$6
24"	30"	23.5"	10	\$268	+\$8	+\$5	+\$6
24"	12"	29.5"	8	\$220	+\$8	+\$5	+\$6
24"	16"	29.5"	9	\$240	+\$8	+\$5	+\$6
24"	18"	29.5"	9	\$262	+\$8	+\$5	+\$6
24"	23"	29.5"	11	\$296	+\$8	+\$5	+\$6
24"	30"	29.5"	13	\$350	+\$8	+\$5	+\$6

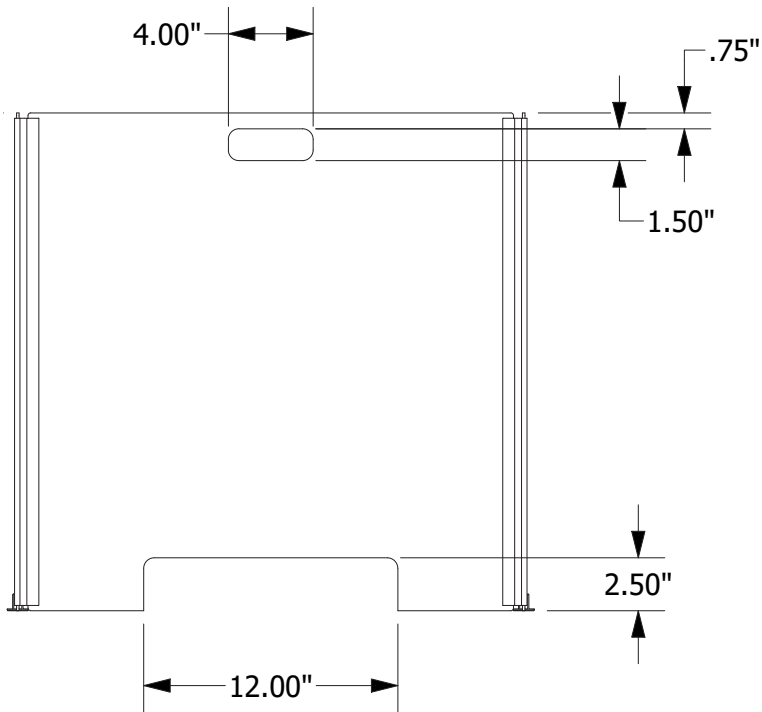
30" Wide Front Panel

Width of Front Panel	Wing Depth	Height	Weight (lbs)	Assembled Panel List Price	Handle	Transaction Cutout	Mounts
30"	12"	23.5"	7	\$192	+\$8	+\$5	+\$6
30"	16"	23.5"	8	\$214	+\$8	+\$5	+\$6
30"	18"	23.5"	8	\$224	+\$8	+\$5	+\$6
30"	24"	23.5"	10	\$246	+\$8	+\$5	+\$6
30"	30"	23.5"	11	\$290	+\$8	+\$5	+\$6
30"	12"	29.5"	9	\$247	+\$8	+\$5	+\$6
30"	16"	29.5"	10	\$267	+\$8	+\$5	+\$6
30"	18"	29.5"	10	\$289	+\$8	+\$5	+\$6
30"	24"	29.5"	12	\$323	+\$8	+\$5	+\$6
30"	30"	29.5"	14	\$377	+\$8	+\$5	+\$6

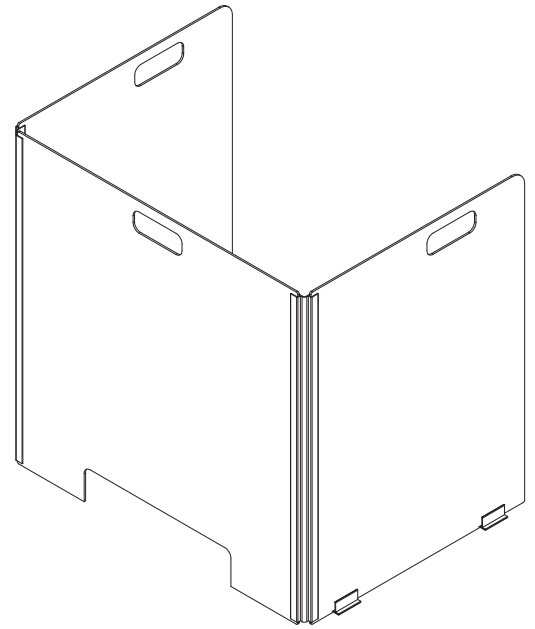
NOTE: All pricing in USD



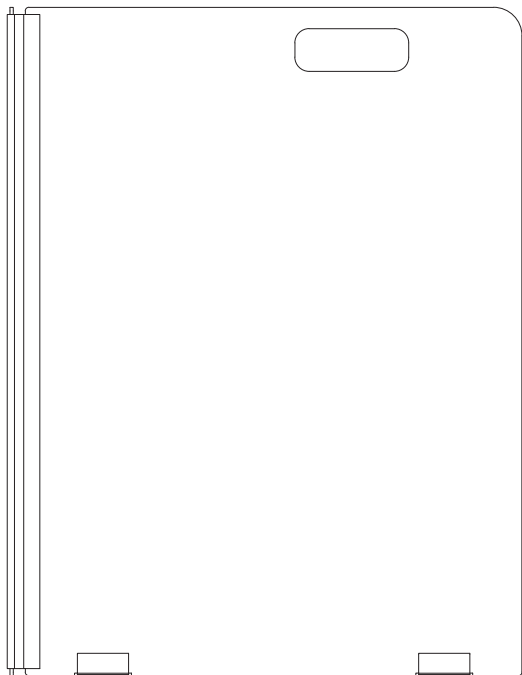
FRONT VIEW - WITH HANDLE AND CUTOUT



OPEN - WITH HANDLE AND CUTOUT



SIDE VIEW - WITH HANDLE



FOLDED - WITH HANDLE AND CUTOUT

