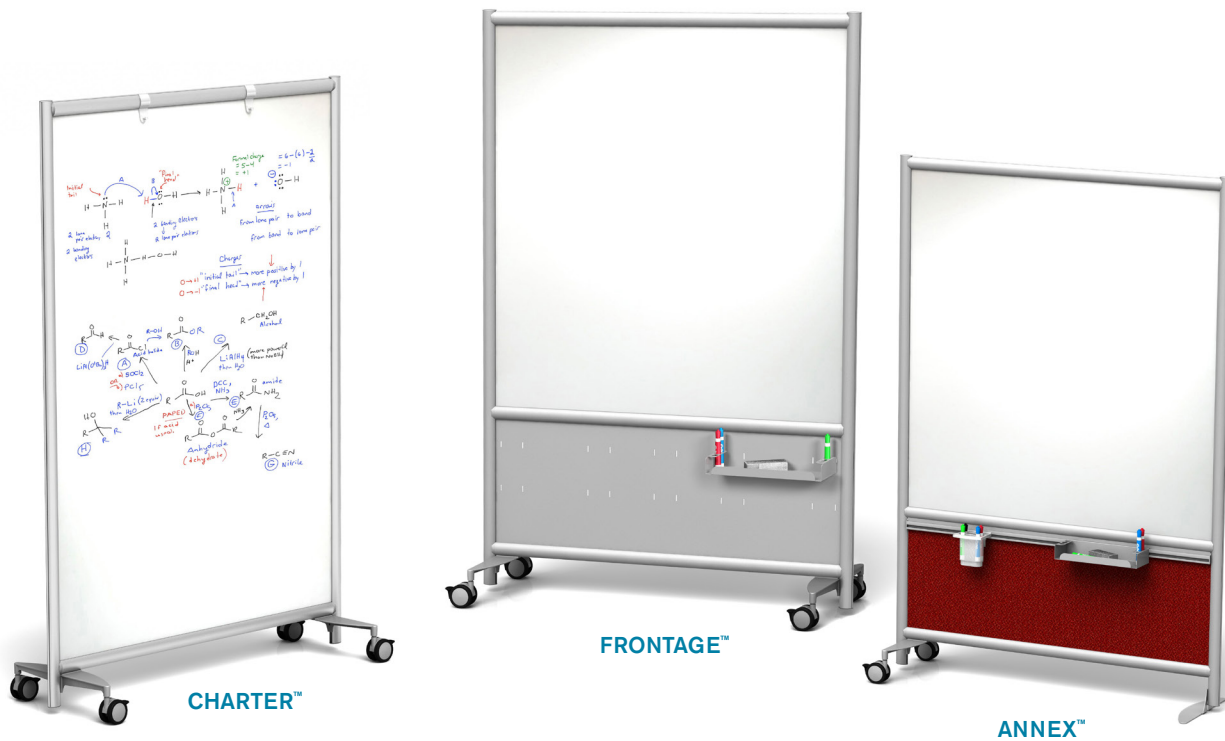


# TRUBRITE™ WHITEBOARDS

Price Effective - January 1, 2021



## MOBILE DRY ERASE WHITEBOARD

Engineered to be lightweight, durable and mobile, our TruBrite™ whiteboards are designed and built to share ideas. Our high-quality TruBrite™ dry-erase writing surface is non-ghosting, easy to clean and economical. TruBrite™ whiteboards are available in 3 contemporary aluminum frame designs with mobile or free-standing foot options.

- Framework is constructed using aluminum extrusion
- All metal parts are anodized, or powder coated for an aesthetic and durable finish
- Our metal mobile feet have 3" locking casters
- Nesting frame design allows for easy space-saving storage
- TruBrite™ dry erase surface is non-ghosting and easy to clean
- Made in the USA

### How to build your SKU:

Step 1: Choose your Model	Step 2: Choose your Width	Step 3: Choose your Height	Step 4: Choose your Frame Color	Step 5: Choose your Dry Erase Material	Step 6: Choose your Lower Core Material (Annex - 3SL only)
3SL	49	54	BK	WB	P103
					(Annex - 3SL only)

## MOBILE WHITEBOARDS

Model	Width	Height	Frame Color	Foot Options	Dry Erase Materials	Lower Core Materials (Annex - 3SL only)
2XM Charter™	30"	48"	AA Satin Aluminum	4 4 Wheel	WB TruBrite™ Whiteboard (Both Sides)	FRO Frosted Acrylic
3MM Frontage™	37"	54"	BK Black*	F Freestanding	WBF1_ TruBrite™ (Side 1)/ Fabric 1_ (Side 2)	A1_ Colored Frosted Acrylic
3SL Annex™	42"	62"			WBF2_ TruBrite™ (Side 1)/ Fabric 2_ (Side 2)	WB TruBrite™ Whiteboard (Both Sides)
	49"	72"				F1_ Fabric 100 Series
	61"		*Black frame not available on Frontage model			F2_ Fabric 200 Series
	73"					WBF1_ TruBrite™ (Side 1)/ Fabric 1_ (Side 2)
						WBF2_ TruBrite™ (Side 1)/ Fabric 2_ (Side 2)
						P1_ EchoScape™ 3/8" (9mm)
						L1_ Laminates & Wood Grains 100 Series

# CHARTER™ TRUBRITE™ MOBILE WHITEBOARD

Width	Height	Weight (lbs)	WB	FOOT OPTIONS
			TruBrite™ Whiteboard	4 Wheel or Freestanding
30"	48"	19	\$665	+\$180
30"	54"	20	\$695	+\$180
30"	62"	23	\$1,080	+\$180
30"	72"	25	\$1,130	+\$180
37"	48"	21	\$775	+\$180
37"	54"	23	\$805	+\$180
37"	62"	26	\$1,125	+\$180
37"	72"	29	\$1,180	+\$180
42"	48"	23	\$840	+\$180
42"	54"	25	\$870	+\$180
42"	62"	28	\$1,155	+\$180
42"	72"	31	\$1,215	+\$180
49"	48"	25	\$880	+\$180
49"	54"	28	\$915	+\$180
49"	62"	31	\$1,205	+\$180
49"	72"	35	\$1,265	+\$180



**CHARTER™**  
**(Model 2XM)**  
**Full Panel Dual-Sided Dry Erase Board**

Accessories Available for Charter Model (Sold Separately)	SKU	Price
---	-----	-------

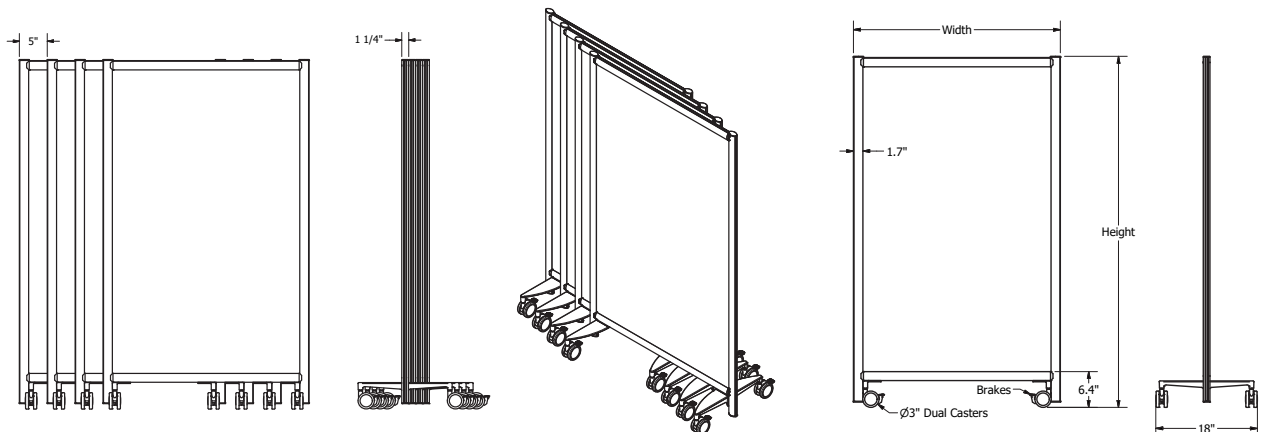
Flip Chart Clip Set  
(quantity 2)



FCC \$30

NOTE:

All pricing in USD






# FRONTAGE™ TRUBRITE™ MOBILE WHITEBOARD

**FRONTAGE™**  
**(Model 3MM)**  
**Dual-Sided Dry Erase**  
**Whiteboard and**  
**Magnetic Slotted Lower**  
**Accessory Panel**



Width	Height	Weight (lbs)	WB	WBF1__	WBF2__	FOOT OPTIONS
			TruBrite™ Whiteboard (Both Sides)	WB/Fabric 100 Series (WB Side 1/F1__ Side 2)	WB/Fabric 200 Series (WB Side 1/F2__ Side 2)	4 Wheel or Freestanding
37"	48"	26	\$885	\$930	\$950	+\$180
37"	54"	28	\$1,000	\$1,065	\$1,120	+\$180
37"	62"	31	\$1,110	\$1,175	\$1,220	+\$180
37"	72"	34	\$1,165	\$1,235	\$1,280	+\$180
49"	48"	33	\$1,060	\$1,115	\$1,145	+\$180
49"	54"	35	\$1,150	\$1,215	\$1,315	+\$180
49"	62"	38	\$1,300	\$1,370	\$1,455	+\$180
49"	72"	42	\$1,365	\$1,460	\$1,525	+\$180

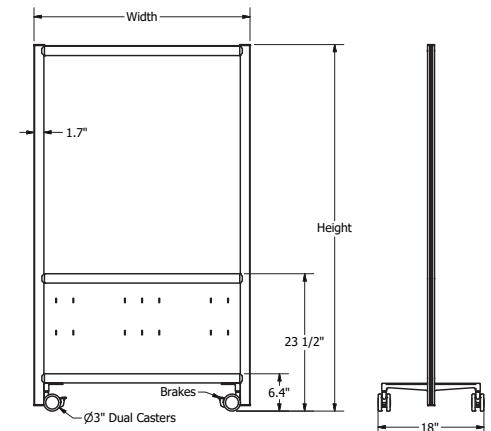
Accessories Available for Frontage Model (Sold Separately)	SKU	Price
 Flip Chart Clip Set (quantity 2)	FCC	\$30
 Marker Tray - Frontage Series	M-WBTR	\$65
 Pencil Cup - Frontage Series	M-PTH	\$42

**NOTE:**

All pricing in USD

Uses M-Series Accessories

Accessories hook into slot openings on lower panel



**ANNEX™**  
**(Model 3SL)**  
**Dual-Sided Dry Erase**  
**Whiteboard and**  
**Lower Customized Panel with**  
**Slatwall Accessory Rail**



**UPPER CORE - TRUBRITE™ (BOTH SIDES)**

**LOWER CORES**

**FOOT**

**OPTIONS**

Width	Height	Weight (lbs)	LOWER CORES									FOOT OPTIONS
			FRO	A1_	WB	F1_	F2_	WBF1_	WBF2_	P1_	L1_	
			Frosted Acrylic	Colored Frosted Acrylic	TruBrite™ Whiteboard	Fabric 100 Series	Fabric 200 Series	WB/Fabric 100 Series	WB/Fabric 200 Series	Echo-Scape™ 3/8" (9mm)	Laminate 100 Series	4 Wheel or Freestanding
37"	54"	26	\$935	\$1,000	\$930	\$950	\$980	\$960	\$975	\$885	\$1,000	+\$180
37"	62"	28	\$1,035	\$1,100	\$1,030	\$1,050	\$1,080	\$1,060	\$1,075	\$985	\$1,100	+\$180
37"	72"	31	\$1,090	\$1,155	\$1,085	\$1,105	\$1,135	\$1,115	\$1,130	\$1,040	\$1,155	+\$180
49"	54"	32	\$1,050	\$1,120	\$1,035	\$1,070	\$1,110	\$1,075	\$1,095	\$985	\$1,130	+\$180
49"	62"	35	\$1,195	\$1,265	\$1,180	\$1,215	\$1,255	\$1,220	\$1,240	\$1,130	\$1,275	+\$180
49"	72"	39	\$1,260	\$1,330	\$1,245	\$1,280	\$1,320	\$1,285	\$1,305	\$1,195	\$1,340	+\$180
61"	54"	37	\$1,525	\$1,670	\$1,530	\$1,520	\$1,570	\$1,565	\$1,595	\$1,445	\$1,595	+\$180
61"	62"	41	\$1,575	\$1,720	\$1,580	\$1,570	\$1,620	\$1,615	\$1,645	\$1,495	\$1,645	+\$180
61"	72"	46	\$1,640	\$1,785	\$1,645	\$1,635	\$1,685	\$1,680	\$1,710	\$1,560	\$1,710	+\$180
73"	54"	44	\$1,620	\$1,765	\$1,620	\$1,660	\$1,720	\$1,670	\$1,700	\$1,535	\$1,775	+\$180
73"	62"	49	\$1,675	\$1,820	\$1,675	\$1,715	\$1,775	\$1,725	\$1,755	\$1,590	\$1,830	+\$180
73"	72"	54	\$1,745	\$1,890	\$1,745	\$1,785	\$1,845	\$1,795	\$1,825	\$1,660	\$1,900	+\$180

**UPPER CORE - TRUBRITE™ (SIDE 1) / FABRIC 1\_ (SIDE 2)**

**LOWER CORES**

**FOOT**

**OPTIONS**

Width	Height	Weight (lbs)	LOWER CORES									FOOT OPTIONS
			FRO	A1_	WB	F1_	F2_	WBF1_	WBF2_	P1_	L1_	
			Frosted Acrylic	Colored Frosted Acrylic	TruBrite™ Whiteboard	Fabric 100 Series	Fabric 200 Series	WB/Fabric 100 Series	WB/Fabric 200 Series	Echo-Scape™ 3/8" (9mm)	Laminate 100 Series	4 Wheel or Freestanding
37"	54"	26	\$1,015	\$1,080	\$1,010	\$1,030	\$1,060	\$1,040	\$1,055	\$965	\$1,080	+\$180
37"	62"	28	\$1,125	\$1,190	\$1,120	\$1,140	\$1,170	\$1,150	\$1,165	\$1,075	\$1,190	+\$180
37"	72"	31	\$1,185	\$1,250	\$1,180	\$1,200	\$1,230	\$1,210	\$1,225	\$1,135	\$1,250	+\$180
49"	54"	32	\$1,135	\$1,205	\$1,120	\$1,155	\$1,195	\$1,160	\$1,180	\$1,070	\$1,215	+\$180
49"	62"	35	\$1,290	\$1,360	\$1,275	\$1,310	\$1,350	\$1,315	\$1,335	\$1,225	\$1,370	+\$180
49"	72"	39	\$1,380	\$1,450	\$1,365	\$1,400	\$1,440	\$1,405	\$1,425	\$1,315	\$1,460	+\$180
61"	54"	37	\$1,635	\$1,780	\$1,640	\$1,630	\$1,680	\$1,675	\$1,705	\$1,555	\$1,705	+\$180
61"	62"	41	\$1,695	\$1,840	\$1,700	\$1,690	\$1,740	\$1,735	\$1,765	\$1,615	\$1,765	+\$180
61"	72"	46	\$1,770	\$1,915	\$1,775	\$1,765	\$1,815	\$1,810	\$1,840	\$1,690	\$1,840	+\$180
73"	54"	44	\$1,765	\$1,910	\$1,765	\$1,805	\$1,865	\$1,815	\$1,845	\$1,680	\$1,920	+\$180
73"	62"	49	\$1,830	\$1,975	\$1,830	\$1,870	\$1,930	\$1,880	\$1,910	\$1,745	\$1,985	+\$180
73"	72"	54	\$1,915	\$2,060	\$1,915	\$1,955	\$2,015	\$1,965	\$1,995	\$1,830	\$2,070	+\$180

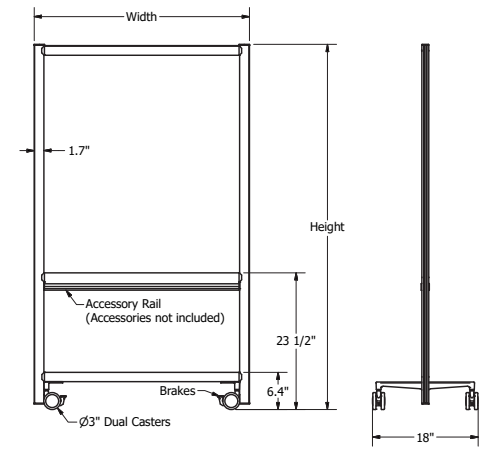
# ANNEX™ TRUBRITE™ MOBILE WHITEBOARD (CONTINUED)

			UPPER CORE - TRUBRITE™ (SIDE 1) / FABRIC 2_ (SIDE 2)									
			LOWER CORES									FOOT OPTIONS
Width	Height	Weight (lbs)	FRO	A1_	WB	F1_	F2_	WBF1_	WBF2_	P1_	L1_	4 Wheel or Freestanding
			Frosted Acrylic	Colored Frosted Acrylic	TruBrite™ Whiteboard	Fabric 100 Series	Fabric 200 Series	WB/Fabric 100 Series	WB/Fabric 200 Series	Echo-Scape™ 3/8" (9mm)	Laminate 100 Series	
37"	54"	26	\$1,070	\$1,135	\$1,065	\$1,085	\$1,115	\$1,095	\$1,110	\$1,020	\$1,135	+\$180
37"	62"	28	\$1,170	\$1,235	\$1,165	\$1,185	\$1,215	\$1,195	\$1,210	\$1,120	\$1,235	+\$180
37"	72"	31	\$1,230	\$1,295	\$1,225	\$1,245	\$1,275	\$1,255	\$1,270	\$1,180	\$1,295	+\$180
49"	54"	32	\$1,235	\$1,305	\$1,220	\$1,255	\$1,295	\$1,260	\$1,280	\$1,170	\$1,315	+\$180
49"	62"	35	\$1,375	\$1,445	\$1,360	\$1,395	\$1,435	\$1,400	\$1,420	\$1,310	\$1,455	+\$180
49"	72"	39	\$1,445	\$1,515	\$1,430	\$1,465	\$1,505	\$1,470	\$1,490	\$1,380	\$1,525	+\$180
61"	54"	37	\$1,710	\$1,855	\$1,715	\$1,705	\$1,755	\$1,750	\$1,780	\$1,630	\$1,780	+\$180
61"	62"	41	\$1,770	\$1,915	\$1,775	\$1,765	\$1,815	\$1,810	\$1,840	\$1,690	\$1,840	+\$180
61"	72"	46	\$1,850	\$1,995	\$1,855	\$1,845	\$1,895	\$1,890	\$1,920	\$1,770	\$1,920	+\$180
73"	54"	44	\$1,855	\$2,000	\$1,855	\$1,895	\$1,955	\$1,905	\$1,935	\$1,770	\$2,010	+\$180
73"	62"	49	\$1,925	\$2,070	\$1,925	\$1,965	\$2,025	\$1,975	\$2,005	\$1,840	\$2,080	+\$180
73"	72"	54	\$2,010	\$2,155	\$2,010	\$2,050	\$2,110	\$2,060	\$2,090	\$1,925	\$2,165	+\$180

Accessories Available for Annex Model (Sold Separately)

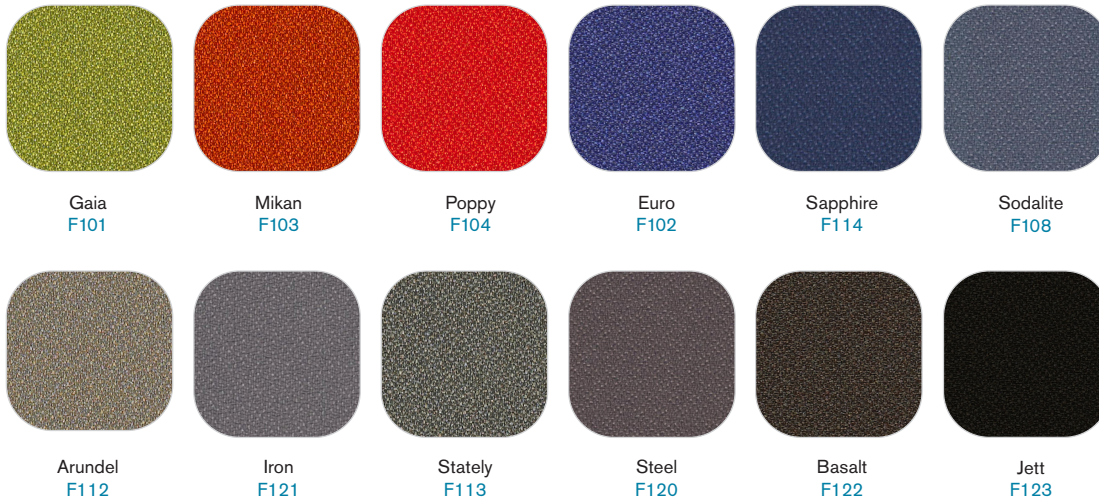
	SKU	Price
Flip Chart Clip Set (quantity 2)	FCC	\$30
Marker Tray- Rail Series	S-WBTR	\$65
Letter Tray - Rail Series	S-LTT	\$50
Legal Tray - Rail Series	S-LGT	\$55
Accessory Tray - Rail Series	S-AT	\$40
Pen Cup - Rail Series	S-PC	\$25

NOTE:  
All pricing in USD  
Uses Slatwall Accessories

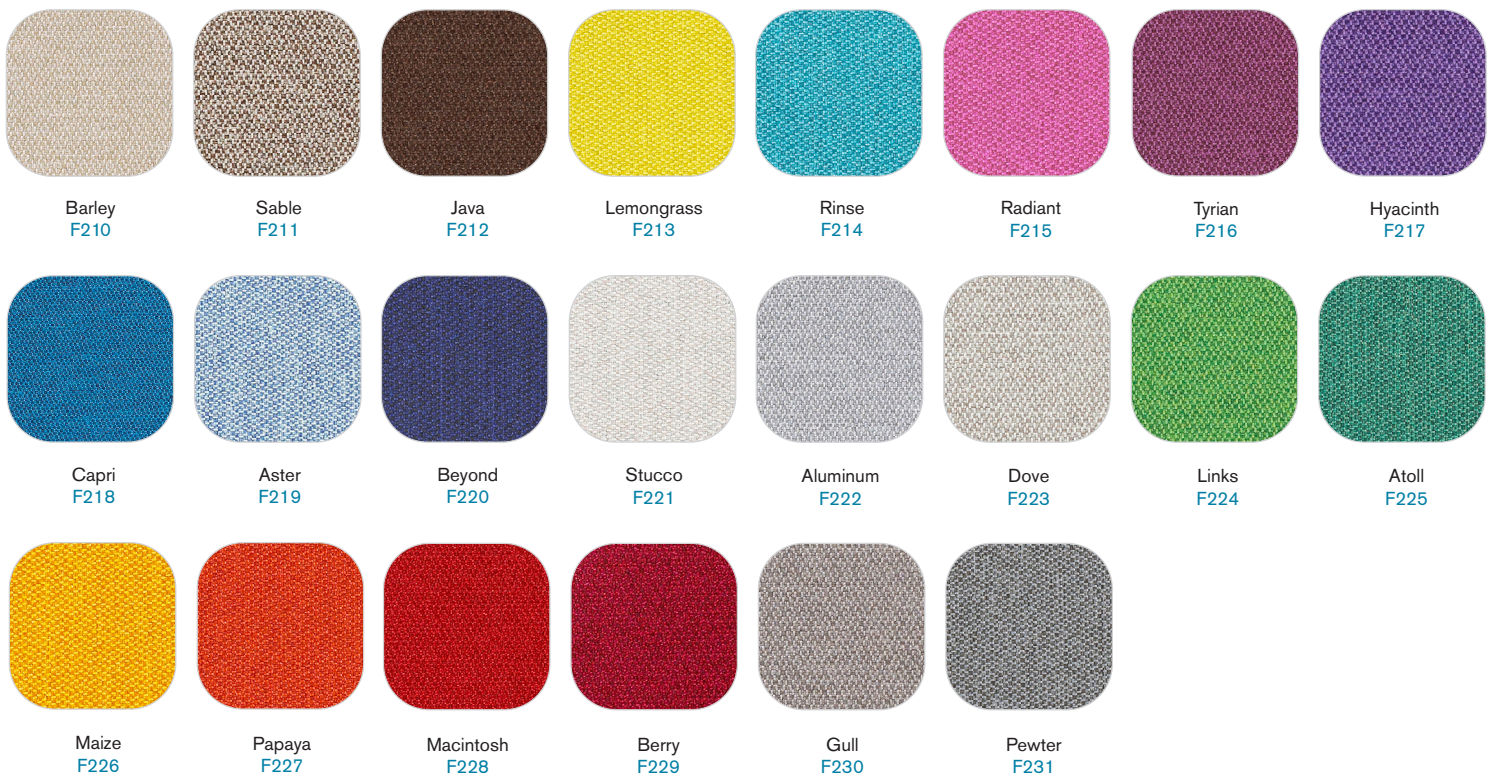


# CORE MATERIAL OPTIONS

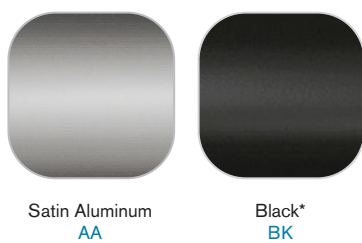
## FABRIC SERIES 100 (F1\_)



## FABRIC SERIES 200 (F2\_)

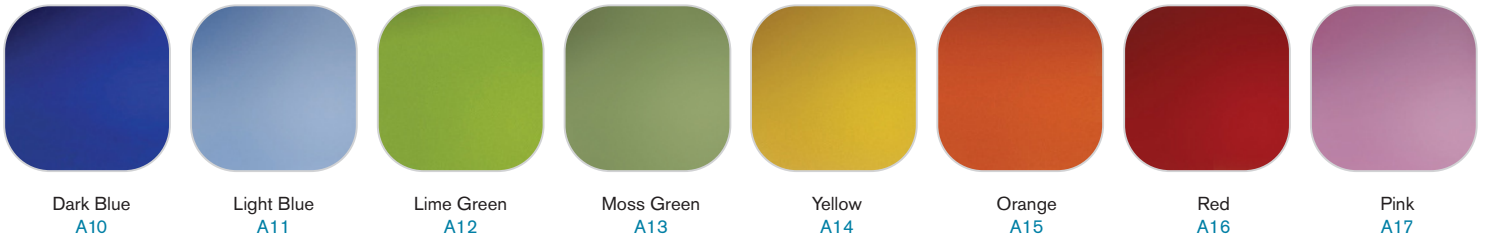


## FRAME COLOR

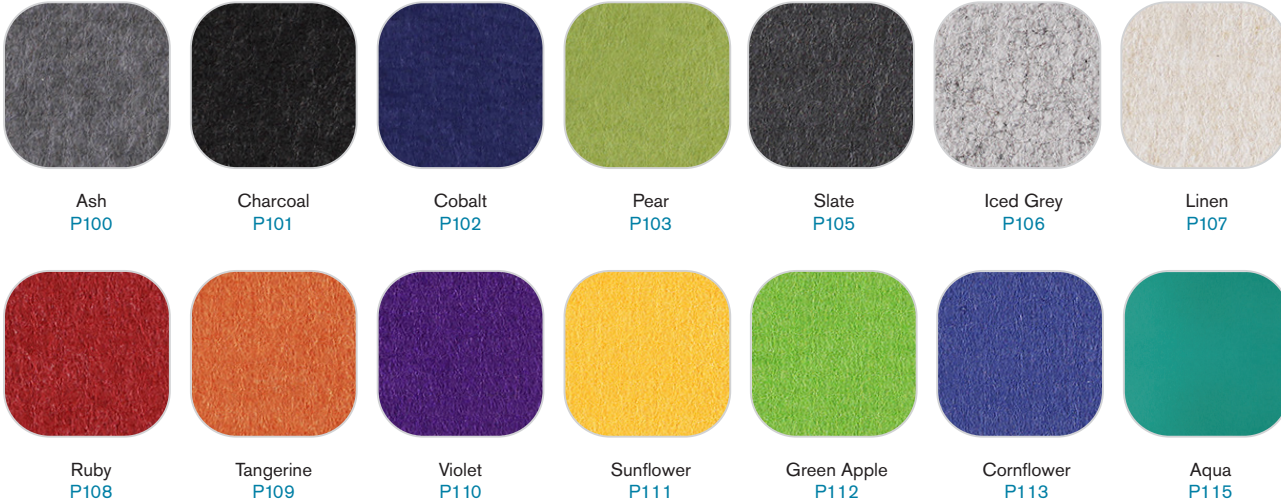


\*Black frame not available on Frontage model

## COLORED FROSTED ACRYLICS (A1\_)



## ECHOSCAPE™ 3/8" (9MM) (P1\_)



## LAMINATES AND WOODGRAINS SERIES 100 (L1\_)

