

# TERRACE SNEEZE GUARD

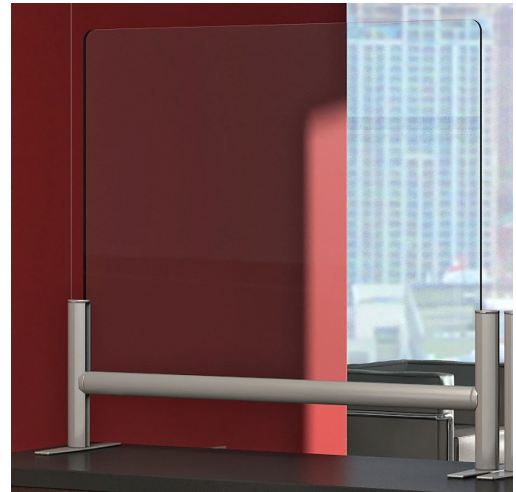
Price Effective - January 1, 2021



## Protective Barrier Shields

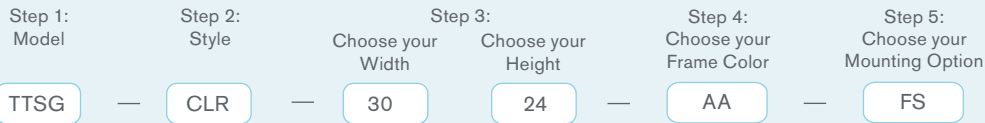
Protect employees and customers with our high quality, professionally designed acrylic Sneeze Guard panels. Our see-through clear or frosted protective barriers are framed along the bottom edge and sit 4 inches off the surface for safe document and currency exchange. Terrace Sneeze Guards are available in a variety of widths and heights to shield your entire worksurface.

Sneeze Guards can be mounted with free standing feet for a movable solution or be permanently fixed to your countertop or worksurface. Easy to disinfect and clean, MergeWorks Sneeze Guards are an effective solution to keep your work environment safe and virus-free.



- Panels are available in clear and frosted acrylic
- Panels are available in several widths and heights for maximum coverage
- Light weight silver aluminum frame holds acrylic
- Panel length includes panel and frame
- Sneeze Guards sit 4" off the worksurface
- All acrylic edges are sanded for a smooth finish
- 1/4" thick Acrylic is easy to disinfect and clean
- Removable and permanent mounting options available
- Made in the USA
- Customization available – special materials, sizes, shapes and mounting

### How to build your SKU:



## TERRACE SNEEZE GUARD

Model	Style	Width	Height	Frame	Mounting
TTSG Terrace Sneeze Guard	CLR Clear Acrylic	24"	24"	AA Satin Aluminum	<b>B</b> Bolt Through <b>SCEK</b> Edge Clamp - Knob <b>SFS</b> Free Standing Foot <b>SFSL</b> Free Standing Foot for 40"H Top Plate <b>T</b>
	FRO Frosted Acrylic	30"	28"		
		36"	36"		
		42"			
		48"			
		60"			

# TERRACE SNEEZE GUARD PANEL

## TERRACE SNEEZE GUARD

Style - Clear Acrylic  
(CLR)

### MOUNTING OPTIONS

TTSG-CLR			Bolt Through	Price	Edge Clamp Knob	Free Standing Foot	Free Standing Foot for 40" Panels	Top Plate	Price	
Width	Height	Weight (lbs)								Base Price
24"	24"	7	\$290	B2	+\$0	SCEK2	SFS2	n/a	T2	+\$40
24"	28"	8	\$315	B2	+\$0	SCEK2	SFS2	n/a	T2	+\$40
24"	36"	9	\$360	B2	+\$0	SCEK2	SFS2	n/a	T2	+\$40
24"	40"	10	\$425	n/a	n/a	n/a	n/a	SFSL2	n/a	+\$40
30"	24"	8	\$330	B2	+\$0	SCEK2	SFS2	n/a	T2	+\$40
30"	28"	9	\$365	B2	+\$0	SCEK2	SFS2	n/a	T2	+\$40
30"	36"	11	\$510	B2	+\$0	SCEK2	SFS2	n/a	T2	+\$40
30"	40"	13	\$530	n/a	n/a	n/a	n/a	SFSL2	n/a	+\$40
36"	24"	9	\$405	B2	+\$0	SCEK2	SFS2	n/a	T2	+\$40
36"	28"	10	\$410	B2	+\$0	SCEK2	SFS2	n/a	T2	+\$40
36"	36"	13	\$530	B2	+\$0	SCEK2	SFS2	n/a	T2	+\$40
36"	40"	15	\$670	n/a	n/a	n/a	n/a	SFSL2	n/a	+\$40
42"	24"	10	\$420	B2	+\$0	SCEK2	SFS2	n/a	T2	+\$40
42"	28"	12	\$470	B2	+\$0	SCEK2	SFS2	n/a	T2	+\$40
42"	36"	15	\$555	B2	+\$0	SCEK2	SFS2	n/a	T2	+\$40
42"	40"	17	\$690	n/a	n/a	n/a	n/a	SFSL2	n/a	+\$40
48"	24"	12	\$440	B2	+\$0	SCEK2	SFS2	n/a	T2	+\$40
48"	28"	14	\$490	B2	+\$0	SCEK2	SFS2	n/a	T2	+\$40
48"	36"	17	\$580	B2	+\$0	SCEK2	SFS2	n/a	T2	+\$40
48"	40"	19	\$710	n/a	n/a	n/a	n/a	SFSL2	n/a	+\$40
54"	24"	13	\$695	B2	+\$0	SCEK2	SFS2	n/a	T2	+\$40
54"	28"	15	\$705	B2	+\$0	SCEK2	SFS2	n/a	T2	+\$40
54"	36"	19	\$1,120	B2	+\$0	SCEK2	SFS2	n/a	T2	+\$40
54"	40"	22	\$1,140	n/a	n/a	n/a	n/a	SFSL2	n/a	+\$40
60"	24"	14	\$710	B2	+\$0	SCEK2	SFS2	n/a	T2	+\$40
60"	28"	17	\$725	B2	+\$0	SCEK2	SFS2	n/a	T2	+\$40
60"	36"	21	\$1,140	B2	+\$0	SCEK2	SFS2	n/a	T2	+\$40
60"	40"	24	\$1,160	n/a	n/a	n/a	n/a	SFSL2	n/a	+\$40

## TERRACE SNEEZE GUARD

Style - Frosted Acrylic  
(FRO)

### MOUNTING OPTIONS

TTSG-FRO			Bolt Through	Price	Edge Clamp Knob	Free Standing Foot	Free Standing Foot for 40" Panels	Top Plate	Price	
Width	Height	Weight (lbs)								Base Price
24"	24"	7	\$290	B2	+\$0	SCEK2	SFS2	n/a	T2	+\$40
24"	28"	8	\$315	B2	+\$0	SCEK2	SFS2	n/a	T2	+\$40
24"	36"	9	\$360	B2	+\$0	SCEK2	SFS2	n/a	T2	+\$40
24"	40"	10	\$430	n/a	n/a	n/a	n/a	SFSL2	n/a	+\$40
30"	24"	8	\$330	B2	+\$0	SCEK2	SFS2	n/a	T2	+\$40
30"	28"	9	\$365	B2	+\$0	SCEK2	SFS2	n/a	T2	+\$40
30"	36"	11	\$510	B2	+\$0	SCEK2	SFS2	n/a	T2	+\$40
30"	40"	13	\$530	n/a	n/a	n/a	n/a	SFSL2	n/a	+\$40
36"	24"	9	\$405	B2	+\$0	SCEK2	SFS2	n/a	T2	+\$40
36"	28"	10	\$410	B2	+\$0	SCEK2	SFS2	n/a	T2	+\$40
36"	36"	13	\$530	B2	+\$0	SCEK2	SFS2	n/a	T2	+\$40
36"	40"	15	\$605	n/a	n/a	n/a	n/a	SFSL2	n/a	+\$40
42"	24"	10	\$420	B2	+\$0	SCEK2	SFS2	n/a	T2	+\$40
42"	28"	12	\$470	B2	+\$0	SCEK2	SFS2	n/a	T2	+\$40
42"	36"	15	\$555	B2	+\$0	SCEK2	SFS2	n/a	T2	+\$40
42"	40"	17	\$625	n/a	n/a	n/a	n/a	SFSL2	n/a	+\$40
48"	24"	12	\$440	B2	+\$0	SCEK2	SFS2	n/a	T2	+\$40
48"	28"	14	\$490	B2	+\$0	SCEK2	SFS2	n/a	T2	+\$40
48"	36"	17	\$580	B2	+\$0	SCEK2	SFS2	n/a	T2	+\$40
48"	40"	19	\$645	n/a	n/a	n/a	n/a	SFSL2	n/a	+\$40
54"	24"	13	\$495	B2	+\$0	SCEK2	SFS2	n/a	T2	+\$40
54"	28"	15	\$530	B2	+\$0	SCEK2	SFS2	n/a	T2	+\$40
54"	36"	19	\$705	B2	+\$0	SCEK2	SFS2	n/a	T2	+\$40
54"	40"	22	\$825	n/a	n/a	n/a	n/a	SFSL2	n/a	+\$40
60"	24"	14	\$515	B2	+\$0	SCEK2	SFS2	n/a	T2	+\$40
60"	28"	17	\$550	B2	+\$0	SCEK2	SFS2	n/a	T2	+\$40
60"	36"	21	\$730	B2	+\$0	SCEK2	SFS2	n/a	T2	+\$40
60"	40"	24	\$850	n/a	n/a	n/a	n/a	SFSL2	n/a	+\$40

NOTE: All pricing in USD

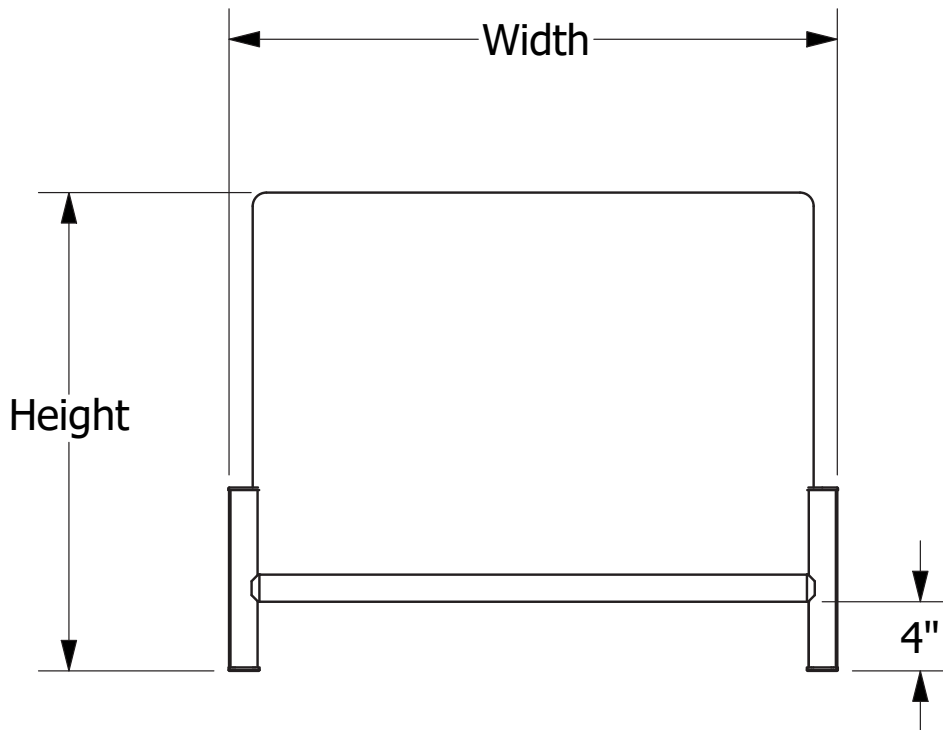
Quantity of mounting clamps noted as last number in SKU



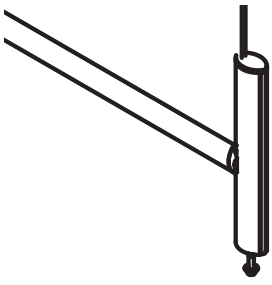
FRAME COLOR



Satin Aluminum  
AA

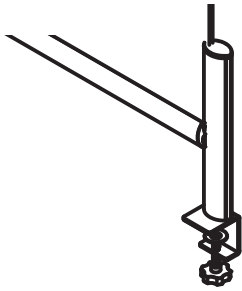


## MOUNTING OPTIONS



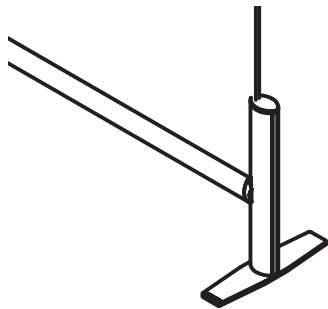
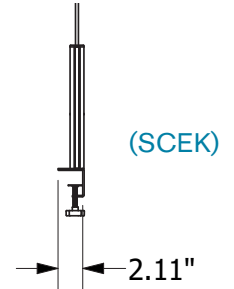
### Bolt Through (B)

- Permanent mounting (Requires drilling in worksurface)
- Works on all thickness tops



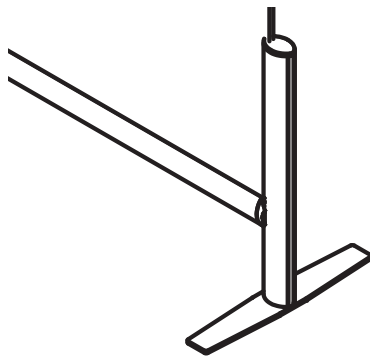
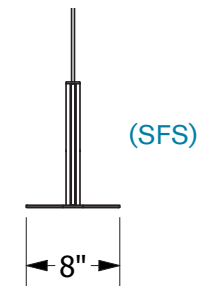
### Edge Clamp - Knob (CEK)

- Fast & easy installation
- Mount along the edge of work surface
- Clamp fits 3/4" to 2" thick tops
- No screwing or drilling into work surface required



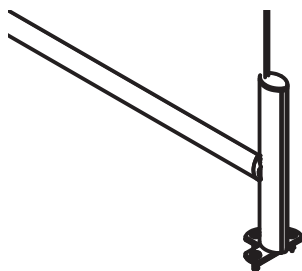
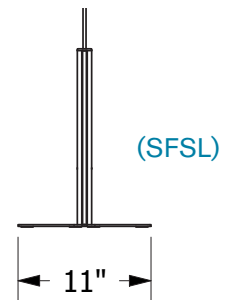
### Free Standing Foot (FS)

- Fast & easy installation
- Stands freely on top of work surface



### Free Standing Foot for 40" H (SFSL)

- Fast & easy installation
- Stands freely on top of work surface
- Larger free standing foot for use with 40" H Terrace Sneeze Guard panel



### Top Plate (T)

- Use for permanent mounting
- Works on all thickness tops
- Top Plate rotates for single or double sided attachment
- Top Plate positions are adjustable

