

# TERRACE SNEEZE GUARD

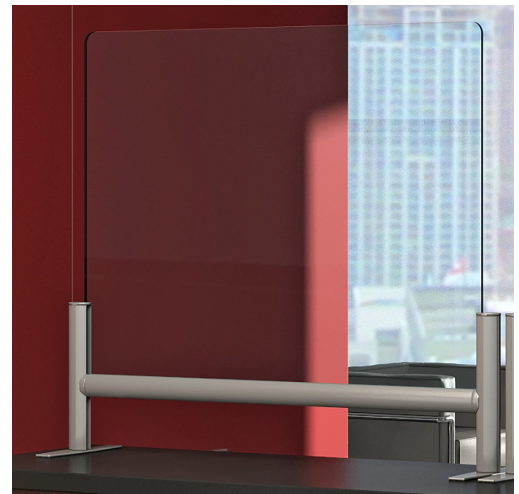
Price Effective - September 19, 2022



## Protective Barrier Shields

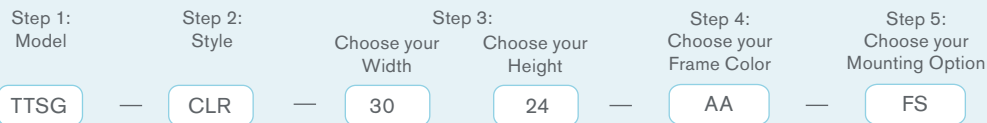
Protect employees and customers with our high quality, professionally designed acrylic Sneeze Guard panels. Our see-through clear or frosted protective barriers are framed along the bottom edge and sit 4 inches off the surface for safe document and currency exchange. Terrace Sneeze Guards are available in a variety of widths and heights to shield your entire worksurface.

Sneeze Guards can be mounted with free standing feet for a movable solution or be permanently fixed to your countertop or worksurface. Easy to disinfect and clean, MergeWorks Sneeze Guards are an effective solution to keep your work environment safe and virus-free.



- Panels are available in clear and frosted acrylic
- Panels are available in several widths and heights for maximum coverage
- Light weight silver aluminum frame holds acrylic
- Panel length includes panel and frame
- Sneeze Guards sit 4" off the worksurface
- All acrylic edges are sanded for a smooth finish
- 1/4" thick Acrylic is easy to disinfect and clean
- Removable and permanent mounting options available
- Made in the USA
- Customization available – special materials, sizes, shapes and mounting

### How to build your SKU:



## TERRACE SNEEZE GUARD

Model	Style	Width	Height	Frame	Mounting
TTSG Terrace Sneeze Guard	CLR Clear Acrylic	24"	24"	AA Satin Aluminum	B Bolt Through SCEK Edge Clamp - Knob SFS Free Standing Foot SFSL Free Standing Foot for 40"H Top Plate T
	FRO Frosted Acrylic	30"	28"		
		36"	36"		
		42"			
		48"			
		60"			

# TERRACE SNEEZE GUARD PANEL

## TERRACE SNEEZE GUARD

Style - Clear Acrylic  
(CLR)

### MOUNTING OPTIONS

			TTSO-CLR	Bolt Through	Price	Edge Clamp Knob	Free Standing Foot	Free Standing Foot for 40" Panels	Top Plate	Price
Width	Height	Weight (lbs)	Base List Price							
24"	24"	7	\$317	B2	+\$0	SCEK2	SFS2	n/a	T2	+\$44
24"	28"	8	\$345	B2	+\$0	SCEK2	SFS2	n/a	T2	+\$44
24"	36"	9	\$394	B2	+\$0	SCEK2	SFS2	n/a	T2	+\$44
24"	40"	10	\$464	n/a	n/a	n/a	n/a	SFSL2	n/a	+\$44
30"	24"	8	\$361	B2	+\$0	SCEK2	SFS2	n/a	T2	+\$44
30"	28"	9	\$398	B2	+\$0	SCEK2	SFS2	n/a	T2	+\$44
30"	36"	11	\$556	B2	+\$0	SCEK2	SFS2	n/a	T2	+\$44
30"	40"	13	\$578	n/a	n/a	n/a	n/a	SFSL2	n/a	+\$44
36"	24"	9	\$442	B2	+\$0	SCEK2	SFS2	n/a	T2	+\$44
36"	28"	10	\$448	B2	+\$0	SCEK2	SFS2	n/a	T2	+\$44
36"	36"	13	\$578	B2	+\$0	SCEK2	SFS2	n/a	T2	+\$44
36"	40"	15	\$731	n/a	n/a	n/a	n/a	SFSL2	n/a	+\$44
42"	24"	10	\$459	B2	+\$0	SCEK2	SFS2	n/a	T2	+\$44
42"	28"	12	\$514	B2	+\$0	SCEK2	SFS2	n/a	T2	+\$44
42"	36"	15	\$606	B2	+\$0	SCEK2	SFS2	n/a	T2	+\$44
42"	40"	17	\$753	n/a	n/a	n/a	n/a	SFSL2	n/a	+\$44
48"	24"	12	\$480	B2	+\$0	SCEK2	SFS2	n/a	T2	+\$44
48"	28"	14	\$535	B2	+\$0	SCEK2	SFS2	n/a	T2	+\$44
48"	36"	17	\$633	B2	+\$0	SCEK2	SFS2	n/a	T2	+\$44
48"	40"	19	\$775	n/a	n/a	n/a	n/a	SFSL2	n/a	+\$44
54"	24"	13	\$759	B2	+\$0	SCEK2	SFS2	n/a	T2	+\$44
54"	28"	15	\$770	B2	+\$0	SCEK2	SFS2	n/a	T2	+\$44
54"	36"	19	\$1,222	B2	+\$0	SCEK2	SFS2	n/a	T2	+\$44
54"	40"	22	\$1,243	n/a	n/a	n/a	n/a	SFSL2	n/a	+\$44
60"	24"	14	\$775	B2	+\$0	SCEK2	SFS2	n/a	T2	+\$44
60"	28"	17	\$791	B2	+\$0	SCEK2	SFS2	n/a	T2	+\$44
60"	36"	21	\$1,243	B2	+\$0	SCEK2	SFS2	n/a	T2	+\$44
60"	40"	24	\$1,265	n/a	n/a	n/a	n/a	SFSL2	n/a	+\$44

## TERRACE SNEEZE GUARD

Style - Frosted Acrylic  
(FRO)

### MOUNTING OPTIONS

			TTSO-FRO	Bolt Through	Price	Edge Clamp Knob	Free Standing Foot	Free Standing Foot for 40" Panels	Top Plate	Price
Width	Height	Weight (lbs)	Base List Price							
24"	24"	7	\$317	B2	+\$0	SCEK2	SFS2	n/a	T2	+\$44
24"	28"	8	\$345	B2	+\$0	SCEK2	SFS2	n/a	T2	+\$44
24"	36"	9	\$394	B2	+\$0	SCEK2	SFS2	n/a	T2	+\$44
24"	40"	10	\$470	n/a	n/a	n/a	n/a	SFSL2	n/a	+\$44
30"	24"	8	\$361	B2	+\$0	SCEK2	SFS2	n/a	T2	+\$44
30"	28"	9	\$398	B2	+\$0	SCEK2	SFS2	n/a	T2	+\$44
30"	36"	11	\$556	B2	+\$0	SCEK2	SFS2	n/a	T2	+\$44
30"	40"	13	\$578	n/a	n/a	n/a	n/a	SFSL2	n/a	+\$44
36"	24"	9	\$442	B2	+\$0	SCEK2	SFS2	n/a	T2	+\$44
36"	28"	10	\$448	B2	+\$0	SCEK2	SFS2	n/a	T2	+\$44
36"	36"	13	\$578	B2	+\$0	SCEK2	SFS2	n/a	T2	+\$44
36"	40"	15	\$660	n/a	n/a	n/a	n/a	SFSL2	n/a	+\$44
42"	24"	10	\$459	B2	+\$0	SCEK2	SFS2	n/a	T2	+\$44
42"	28"	12	\$514	B2	+\$0	SCEK2	SFS2	n/a	T2	+\$44
42"	36"	15	\$606	B2	+\$0	SCEK2	SFS2	n/a	T2	+\$44
42"	40"	17	\$682	n/a	n/a	n/a	n/a	SFSL2	n/a	+\$44
48"	24"	12	\$480	B2	+\$0	SCEK2	SFS2	n/a	T2	+\$44
48"	28"	14	\$535	B2	+\$0	SCEK2	SFS2	n/a	T2	+\$44
48"	36"	17	\$633	B2	+\$0	SCEK2	SFS2	n/a	T2	+\$44
48"	40"	19	\$704	n/a	n/a	n/a	n/a	SFSL2	n/a	+\$44
54"	24"	13	\$541	B2	+\$0	SCEK2	SFS2	n/a	T2	+\$44
54"	28"	15	\$579	B2	+\$0	SCEK2	SFS2	n/a	T2	+\$44
54"	36"	19	\$770	B2	+\$0	SCEK2	SFS2	n/a	T2	+\$44
54"	40"	22	\$900	n/a	n/a	n/a	n/a	SFSL2	n/a	+\$44
60"	24"	14	\$562	B2	+\$0	SCEK2	SFS2	n/a	T2	+\$44
60"	28"	17	\$600	B2	+\$0	SCEK2	SFS2	n/a	T2	+\$44
60"	36"	21	\$796	B2	+\$0	SCEK2	SFS2	n/a	T2	+\$44
60"	40"	24	\$927	n/a	n/a	n/a	n/a	SFSL2	n/a	+\$44

NOTE: All pricing in USD

Quantity of mounting clamps noted as last number in SKU

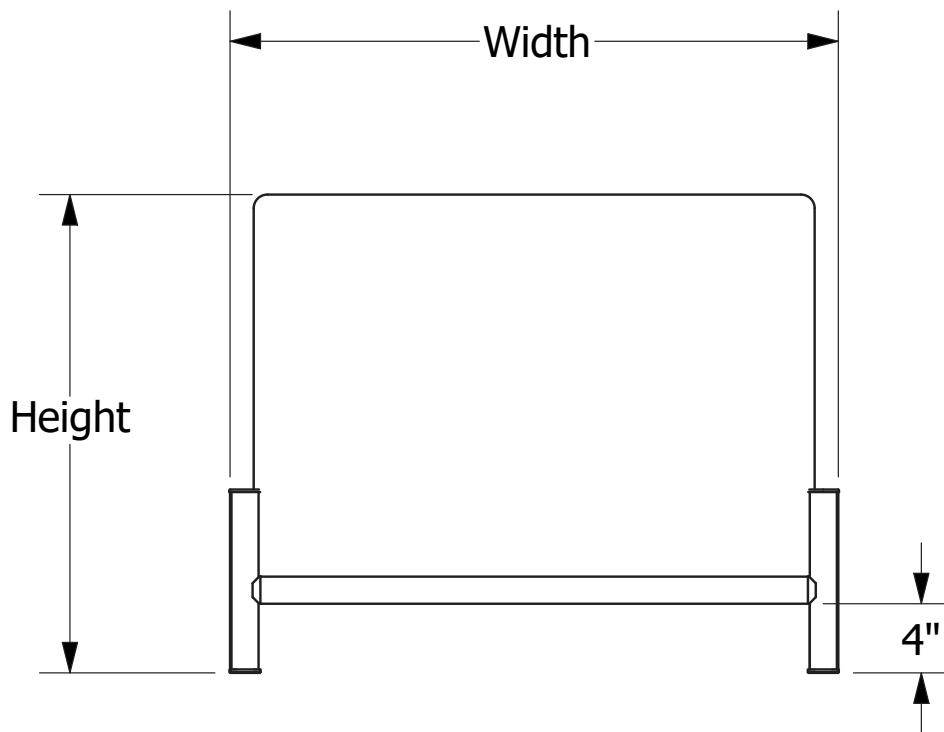


# MATERIAL OPTIONS

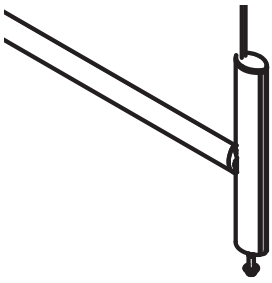
## FRAME COLOR



Satin Aluminum  
AA

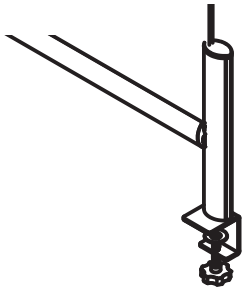


## MOUNTING OPTIONS



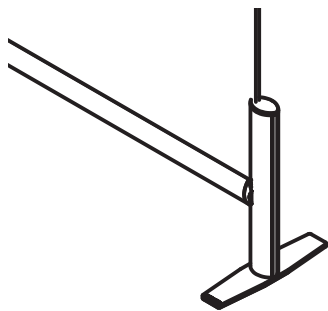
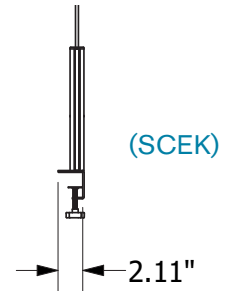
### Bolt Through (B)

- Permanent mounting (Requires drilling in worksurface)
- Works on all thickness tops



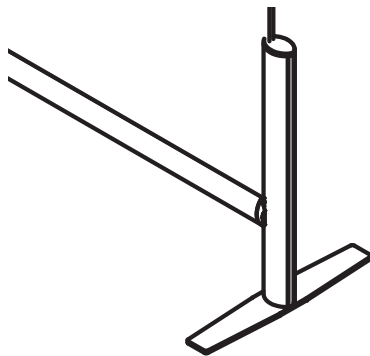
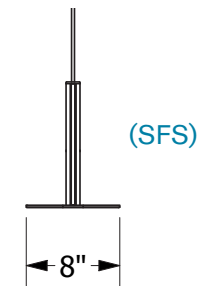
### Edge Clamp - Knob (CEK)

- Fast & easy installation
- Mount along the edge of work surface
- Clamp fits 3/4" to 2" thick tops
- No screwing or drilling into work surface required



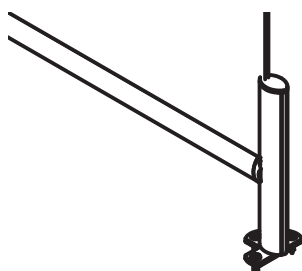
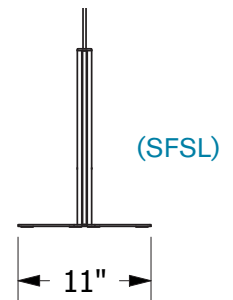
### Free Standing Foot (FS)

- Fast & easy installation
- Stands freely on top of work surface



### Free Standing Foot for 40" H (SFSL)

- Fast & easy installation
- Stands freely on top of work surface
- Larger free standing foot for use with 40" H Terrace Sneeze Guard panel



### Top Plate (T)

- Use for permanent mounting
- Works on all thickness tops
- Top Plate rotates for single or double sided attachment
- Top Plate positions are adjustable

